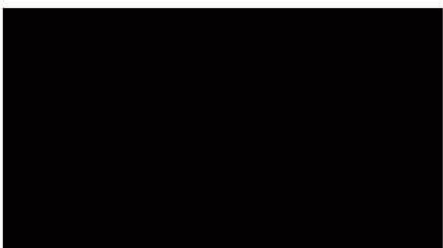
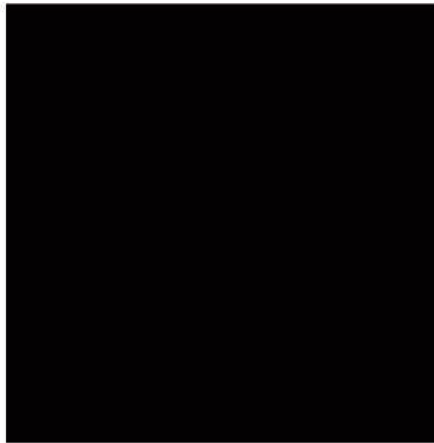


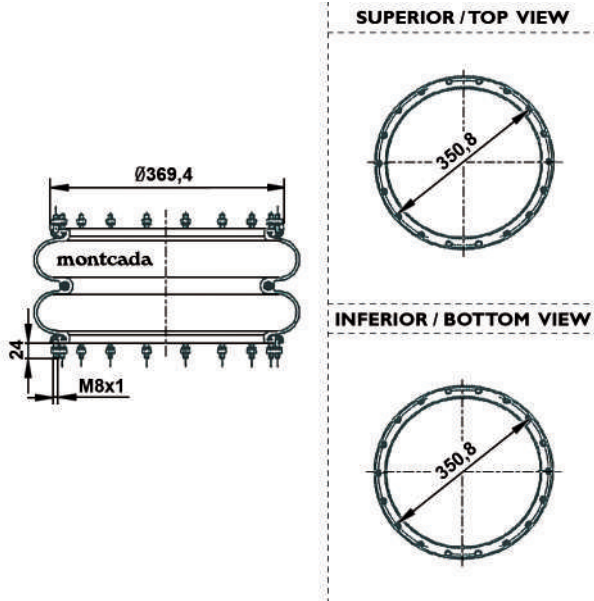
TORPRESS

Convolutated air springs



0114070

T01



Listado de equivalencias / Cross list

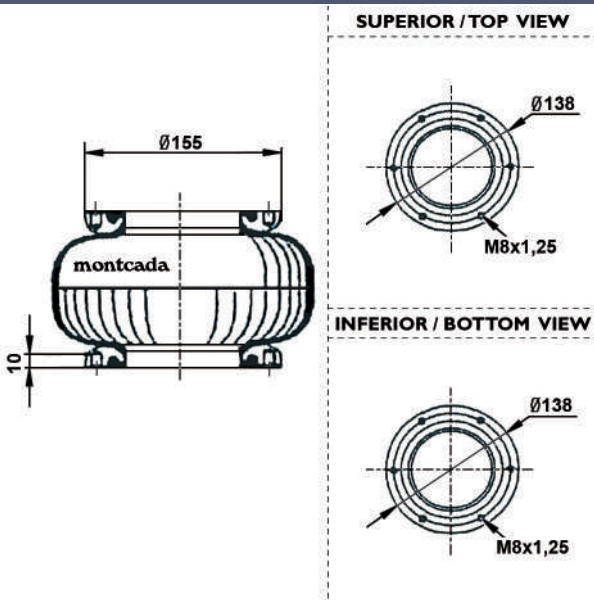
AIRKRAFT	
C. F. GOMMA	T-28 (0114070)
CONTITECH	
FIRESTONE	28 W01M587531
GART	
GOODYEAR	
PHOENIX	
SPRINGRIDE	
VIBRACOUSTIC	

Aplicaciones principales / Main applications

KASSBOHRER	4731007000
------------	------------

0114080

T02



Listado de equivalencias / Cross list

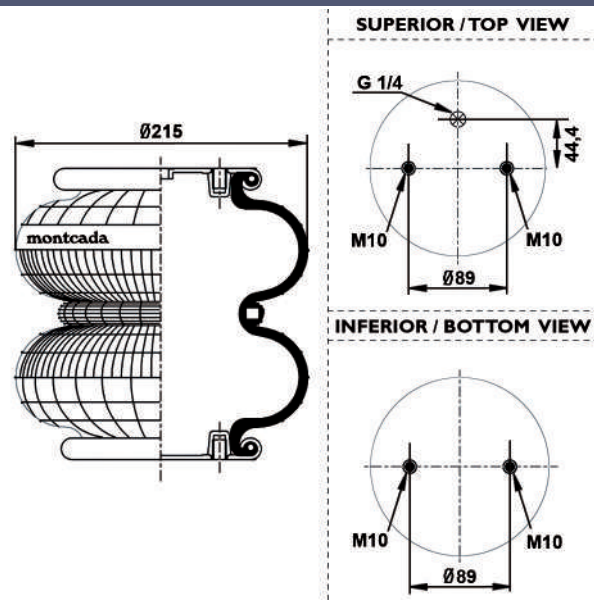
AIRKRAFT	
C. F. GOMMA	T-110 (0114080)
CONTITECH	
FIRESTONE	
GART	
GOODYEAR	
PHOENIX	
SPRINGRIDE	
VIBRACOUSTIC	

Aplicaciones principales / Main applications

VARIOS	
--------	--

0164010

T03



Listado de equivalencias / Cross list

AIRKRAFT	2B-220 (0164010)
C. F. GOMMA	T-20
CONTITECH	FD200-19/20
FIRESTONE	20 W01M586887/7887
GART	T291/2 (0184020)
GOODYEAR	2B9-223/2250
PHOENIX	SP2B12R
SPRINGRIDE	S09201NB
VIBRACOUSTIC	VSP2B12R

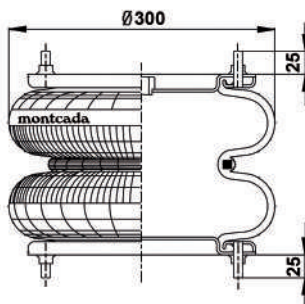
Aplicaciones principales / Main applications

ROR	21221395
-----	----------

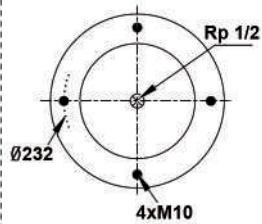
• Kit tornillería → FP035

0164020

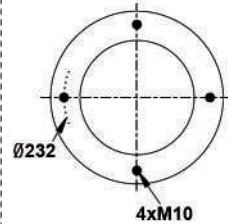
T04



SUPERIOR / TOP VIEW



INFERIOR / BOTTOM VIEW



Listado de equivalencias / Cross list

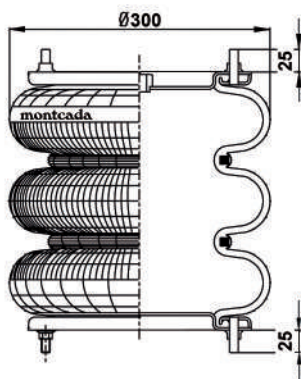
AIRKRAFT	2B-300T.C. (0164020)
C. F. GOMMA	
CONTITECH	FD412-18
FIRESTONE	12X2NB W01R584061
GART	
GOODYEAR	2B122452
PHOENIX	
SPRINGRIDE	12X2 SP1541NB
VIBRACOUSTIC	

Aplicaciones principales / Main applications

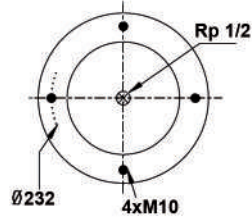
GIGANT	881202
--------	--------

0164030

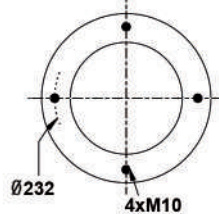
T05



SUPERIOR / TOP VIEW



INFERIOR / BOTTOM VIEW



Listado de equivalencias / Cross list

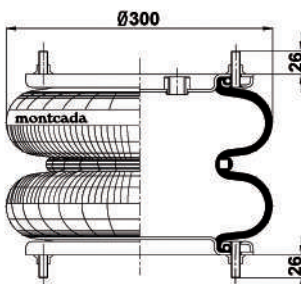
AIRKRAFT	3B-300T.C. (0164030)
C. F. GOMMA	
CONTITECH	FT 412-32
FIRESTONE	12X3NB W01R584062
GART	
GOODYEAR	3B12-2452/SP891NB
PHOENIX	
SPRINGRIDE	12X3 SP1542NB
VIBRACOUSTIC	

Aplicaciones principales / Main applications

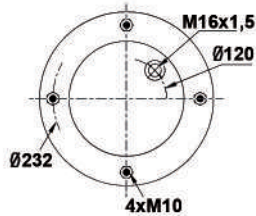
GIGANT	881204
--------	--------

0164040

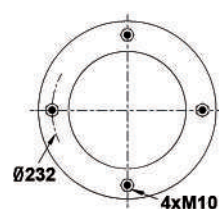
T06



SUPERIOR / TOP VIEW



INFERIOR / BOTTOM VIEW



Listado de equivalencias / Cross list

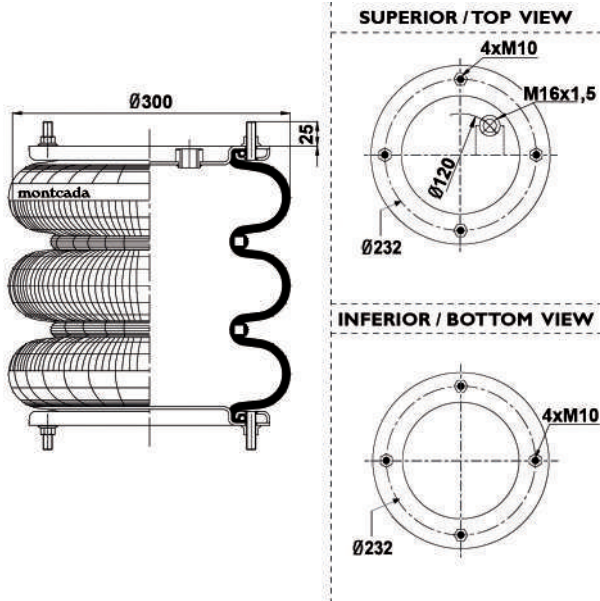
AIRKRAFT	2B-300T.L. (0164040)
C. F. GOMMA	
CONTITECH	FD418-18P01
FIRESTONE	12X2NB W01R584073
GART	
GOODYEAR	2B12-457/SP1984
PHOENIX	
SPRINGRIDE	12X2 SP2665NB
VIBRACOUSTIC	

Aplicaciones principales / Main applications

LOHR	A06030601
------	-----------

0164050

T07



Listado de equivalencias / Cross list

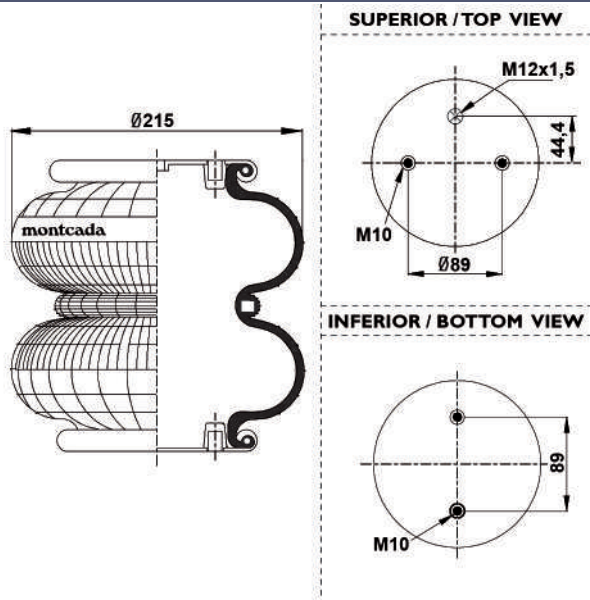
AIRKRAFT	3B-300T.L. (0164050)
C. F. GOMMA	
CONTITECH	FT412-32P01
FIRESTONE	12X3NB W01R584037
GART	
GOODYEAR	SP2666NB
PHOENIX	
SPRINGRIDE	12X3 SP2666NB
VIBRACOUSTIC	

Aplicaciones principales / Main applications

LOHR	A06030606
------	-----------

0164060

T08



Listado de equivalencias / Cross list

AIRKRAFT	2B-220-3 (0164060)
C. F. GOMMA	T-20
CONTITECH	FD200-19P04
FIRESTONE	20F W01M587894/6891
GART	T291/2 (0184350)
GOODYEAR	2B9-700/287
PHOENIX	SP2B12R-3/R-5
SPRINGRIDE	S09208
VIBRACOUSTIC	VSP2B12R-5

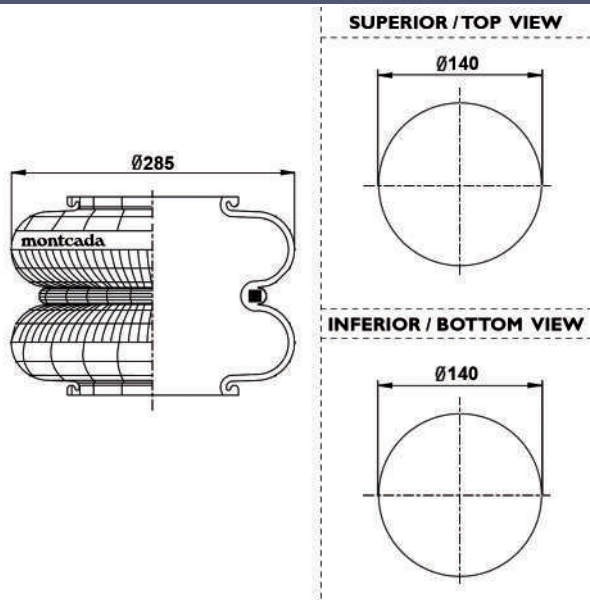
Aplicaciones principales / Main applications

SAF	4229100400
-----	------------

• Kit tornillería → FP035

0164110

T09



Listado de equivalencias / Cross list

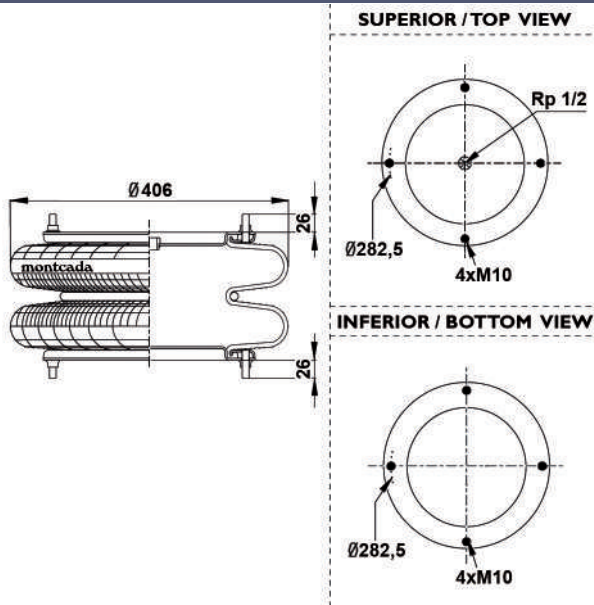
AIRKRAFT	2B-285 S.G. (0164110)
C. F. GOMMA	
CONTITECH	608N
FIRESTONE	
GART	
GOODYEAR	
PHOENIX	2B20R
SPRINGRIDE	
VIBRACOUSTIC	V2B20R

Aplicaciones principales / Main applications

KASSBOHRER	4731003000
------------	------------

0164120

T10



Listado de equivalencias / Cross list

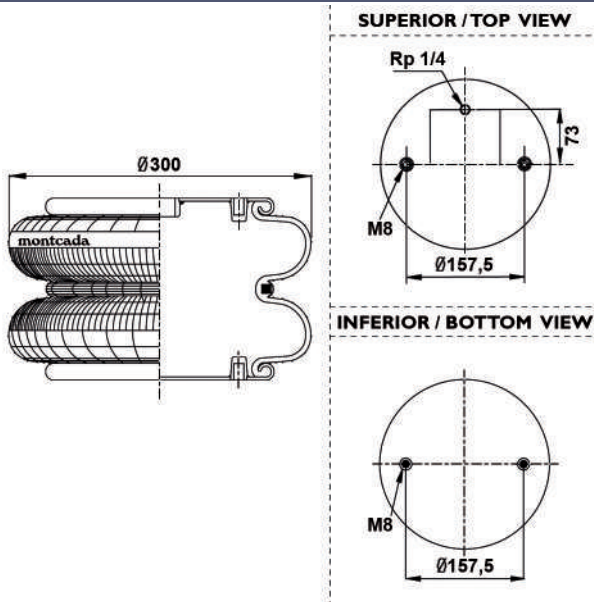
AIRKRAFT	2B-400T.C. (0164120)
C. F. GOMMA	
CONTITECH	FD816-30
FIRESTONE	16X2 W01R584067
GART	
GOODYEAR	
PHOENIX	
SPRINGRIDE	16X2 SP1557
VIBRACOUSTIC	

Aplicaciones principales / Main applications

SAF	3228100201
-----	------------

0164130

T11



Listado de equivalencias / Cross list

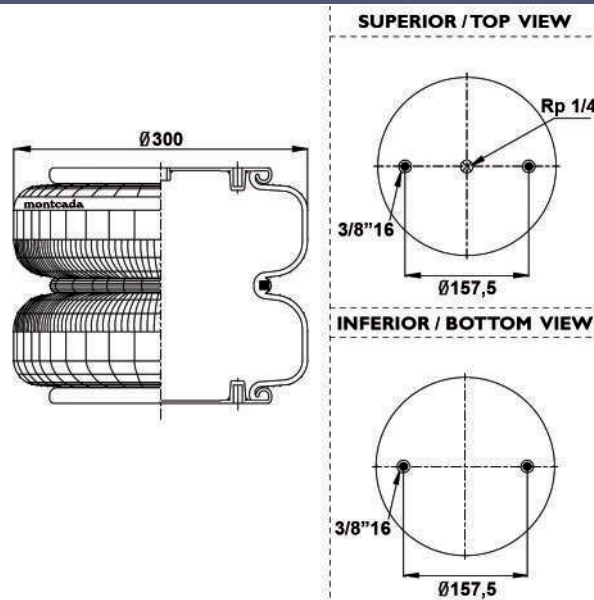
AIRKRAFT	2B-301T.L. (0164130)
C. F. GOMMA	22B
CONTITECH	FD 330-22/30
FIRESTONE	22 W013587180
GART	
GOODYEAR	2B12-425/S12201
PHOENIX	SP2B22R
SPRINGRIDE	S12201/S12202
VIBRACOUSTIC	VSP2B22R

Aplicaciones principales / Main applications

SAF	3229100100
-----	------------

0164220

T12



Listado de equivalencias / Cross list

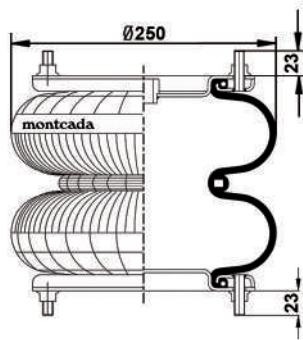
AIRKRAFT	2B-320T.C. (0164220)
C. F. GOMMA	
CONTITECH	
FIRESTONE	22-1.5 W016817688/7440/7443
GART	
GOODYEAR	2B12-305
PHOENIX	
SPRINGRIDE	12X2 A25 S12280
VIBRACOUSTIC	

Aplicaciones principales / Main applications

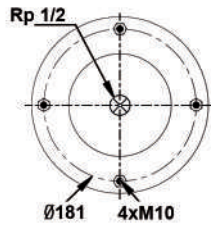
LECITRAILER	
-------------	--

0164230

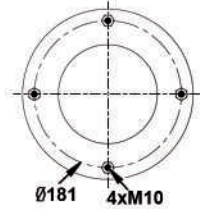
T13



SUPERIOR / TOP VIEW



INFERIOR / BOTTOM VIEW



Listado de equivalencias / Cross list

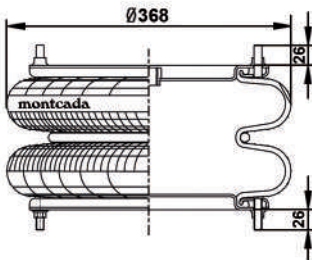
AIRKRAFT	2B-255T.C. (0164230)
C. F. GOMMA	
CONTITECH	FD210-22
FIRESTONE	10X2 W01R584058
GART	
GOODYEAR	SP1538
PHOENIX	
SPRINGRIDE	10X2 SP1538
VIBRACOUSTIC	

Aplicaciones principales / Main applications

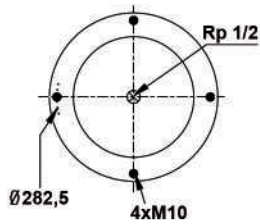
SAMRO	2500021
-------	---------

0164240

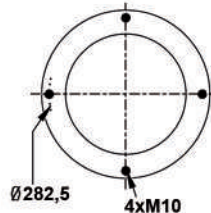
T14



SUPERIOR / TOP VIEW



INFERIOR / BOTTOM VIEW



Listado de equivalencias / Cross list

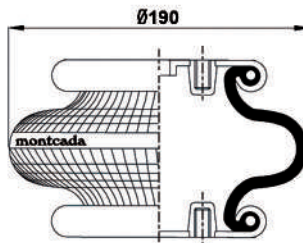
AIRKRAFT	2B-370T.C. (0164240)
C. F. GOMMA	
CONTITECH	FD614-26
FIRESTONE	141/2X2 W01R584064
GART	
GOODYEAR	SP1556
PHOENIX	
SPRINGRIDE	141/2X2 SP1556
VIBRACOUSTIC	

Aplicaciones principales / Main applications

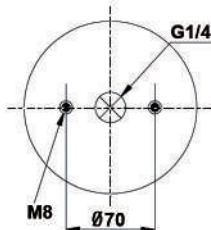
GIGANT	881205
--------	--------

0164245

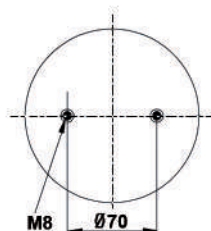
T15



SUPERIOR / TOP VIEW



INFERIOR / BOTTOM VIEW



Listado de equivalencias / Cross list

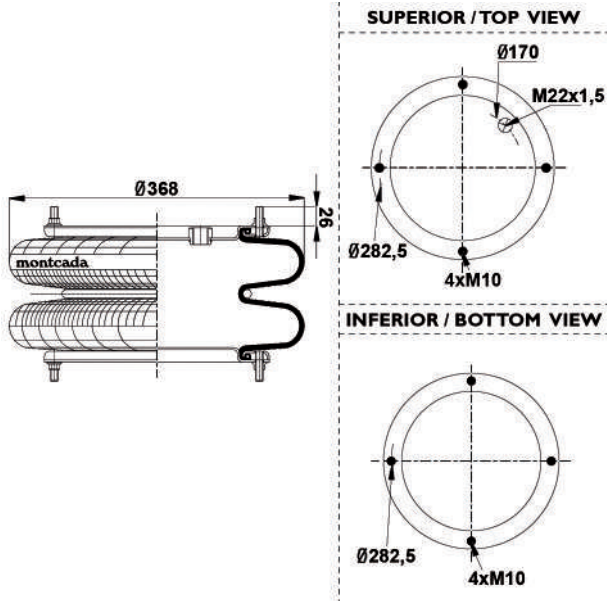
AIRKRAFT	1B-190T.C. (0164245)
C. F. GOMMA	116
CONTITECH	FS120-9
FIRESTONE	116B W01M586166
GART	
GOODYEAR	
PHOENIX	
SPRINGRIDE	8X1 S08100
VIBRACOUSTIC	

Aplicaciones principales / Main applications

VARIOS	
--------	--

0164250

T16



Listado de equivalencias / Cross list

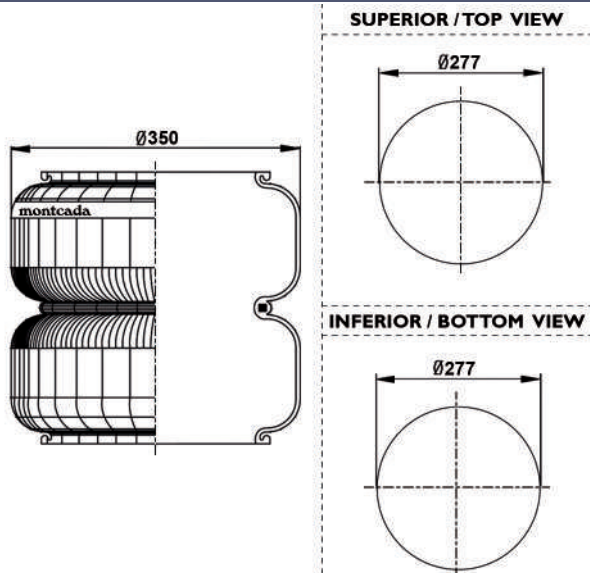
AIRKRAFT	2B-370T.L. (0164250)
C. F. GOMMA	
CONTITECH	FD614-16P01
FIRESTONE	141/2X2 W01R584074
GART	
GOODYEAR	SP1988
PHOENIX	
SPRINGRIDE	141/2X2 SP1988
VIBRACOUSTIC	

Aplicaciones principales / Main applications

FRUEHAUF	J40108M08A05
----------	--------------

0164280

T17



Listado de equivalencias / Cross list

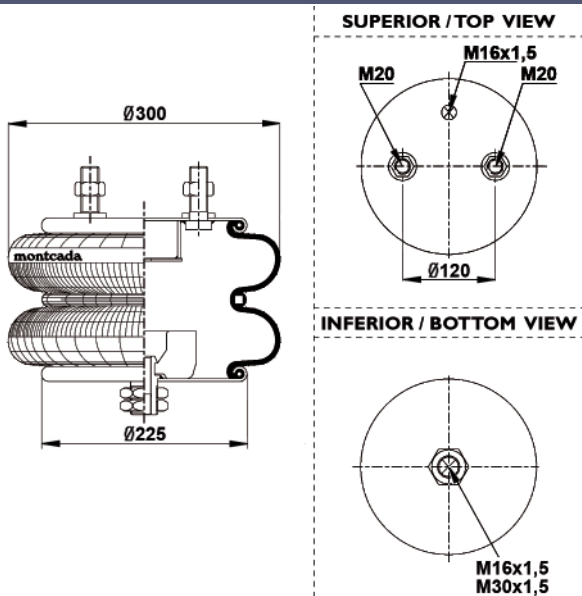
AIRKRAFT	2B-360S.G. (0164280)
C. F. GOMMA	
CONTITECH	
FIRESTONE	
GART	
GOODYEAR	
PHOENIX	2B34RB
SPRINGRIDE	
VIBRACOUSTIC	V2B34RB

Aplicaciones principales / Main applications

KÄSSBOHRER	4731034100
------------	------------

0164285

T18



Listado de equivalencias / Cross list

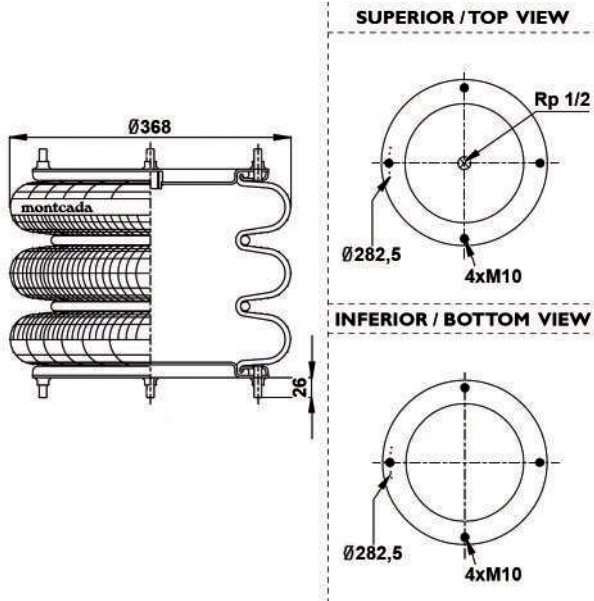
AIRKRAFT	2B-301 (0164285)
C. F. GOMMA	T22 88544
CONTITECH	
FIRESTONE	
GART	
GOODYEAR	
PHOENIX	SP 2B 22-R1 51666
SPRINGRIDE	
VIBRACOUSTIC	

Aplicaciones principales / Main applications

KÄSSBOHER	4731045100 / 4731045300
-----------	-------------------------

0164290

T19



Listado de equivalencias / Cross list

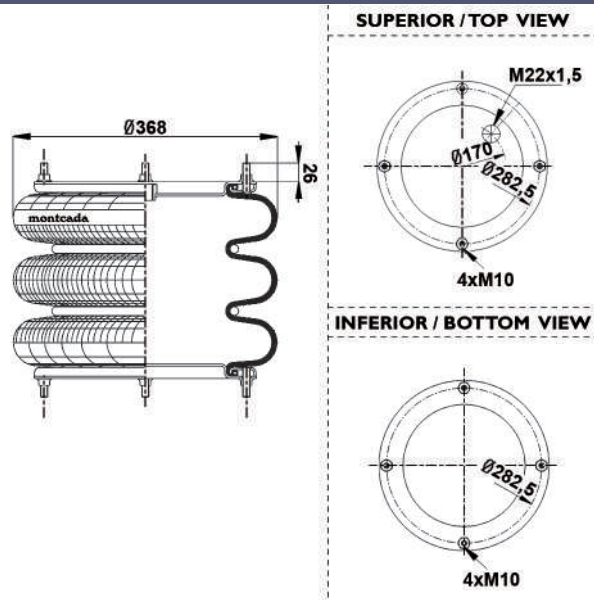
AIRKRAFT	3B-370T.C. (0164290)
C. F. GOMMA	
CONTITECH	FT614-361/2 M10
FIRESTONE	141/2X3 W01R584065
GART	
GOODYEAR	SP1558
PHOENIX	
SPRINGRIDE	141/2X3 SP1558
VIBRACOUSTIC	

Aplicaciones principales / Main applications

GRANNING	15824
----------	-------

0164310

T20



Listado de equivalencias / Cross list

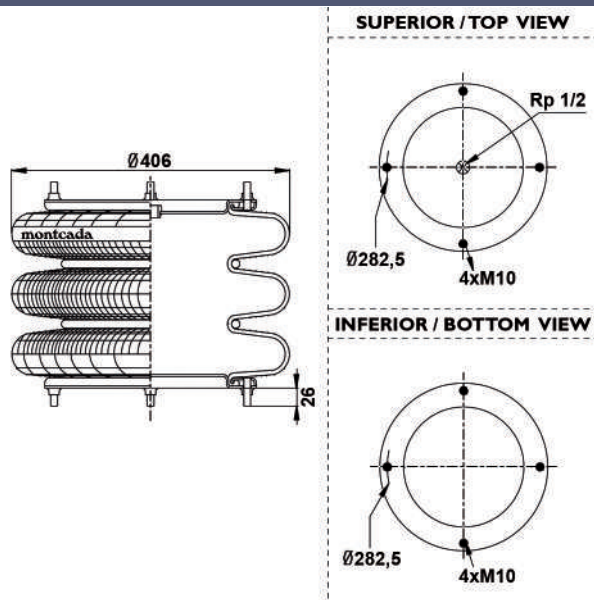
AIRKRAFT	3B-370T.L. (0164310)
C. F. GOMMA	
CONTITECH	FT614-36S
FIRESTONE	
GART	
GOODYEAR	SP1983
PHOENIX	
SPRINGRIDE	141/2X3 SP 1983
VIBRACOUSTIC	

Aplicaciones principales / Main applications

LOHR	A06030605
------	-----------

0164320

T21



Listado de equivalencias / Cross list

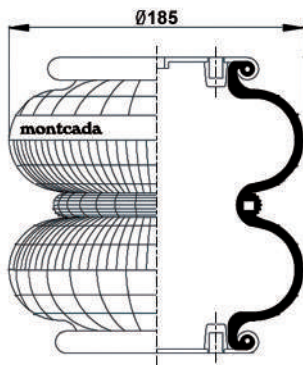
AIRKRAFT	3B-400T.C. (0164320)
C. F. GOMMA	
CONTITECH	FT816-40
FIRESTONE	16X3 W01R584068
GART	
GOODYEAR	SP2141
PHOENIX	
SPRINGRIDE	16X3 SP2141
VIBRACOUSTIC	

Aplicaciones principales / Main applications

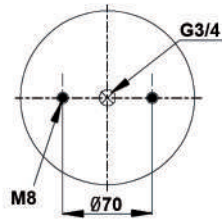
GRANNING	15832
----------	-------

0164350

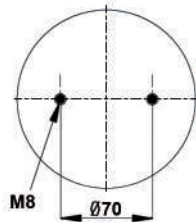
T22



SUPERIOR / TOP VIEW



INFERIOR / BOTTOM VIEW



Listado de equivalencias / Cross list

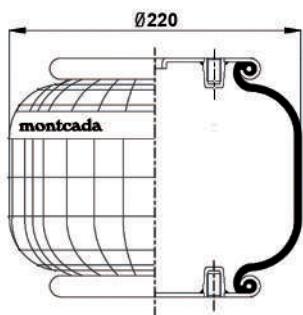
AIRKRAFT	2B-180T.C. (0164350)
C. F. GOMMA	
CONTITECH	FD120-17
FIRESTONE	26 W01M586378
GART	
GOODYEAR	2B7-540
PHOENIX	
SPRINGRIDE	8X2 S08201
VIBRACOUSTIC	

Aplicaciones principales / Main applications

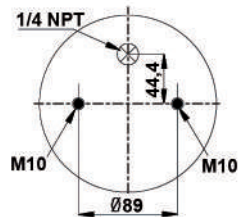
GIGANT	196028
--------	--------

0164370

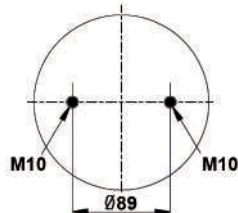
T23



SUPERIOR / TOP VIEW



INFERIOR / BOTTOM VIEW



Listado de equivalencias / Cross list

AIRKRAFT	220-60T.L. (0164370)
C. F. GOMMA	
CONTITECH	
FIRESTONE	
GART	T291/B (0184010)
GOODYEAR	
PHOENIX	
SPRINGRIDE	
VIBRACOUSTIC	

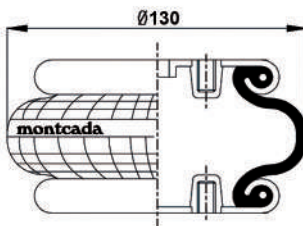
Aplicaciones principales / Main applications

ROR	21225628
-----	----------

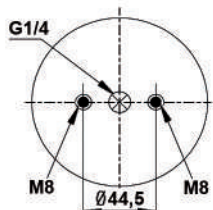
• Kit tornillería → FP035

0164380

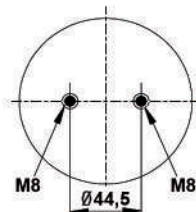
T24



SUPERIOR / TOP VIEW



INFERIOR / BOTTOM VIEW



Listado de equivalencias / Cross list

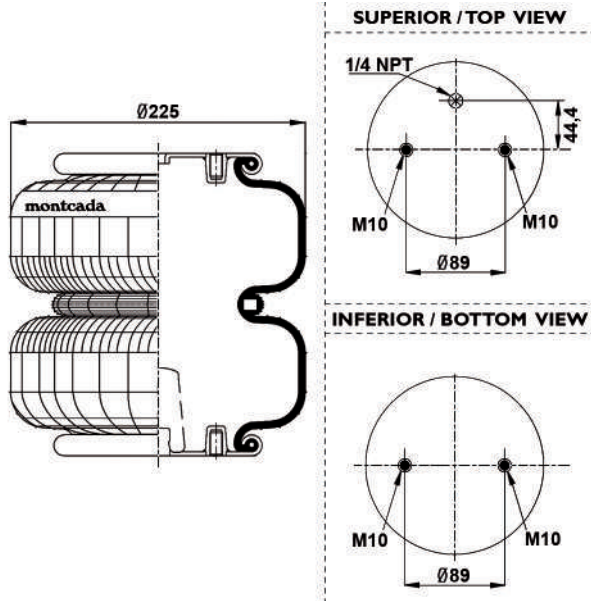
AIRKRAFT	1B-120T.C. (0164380)
C. F. GOMMA	T-16
CONTITECH	FS50-5
FIRESTONE	16 W01M586140
GART	
GOODYEAR	
PHOENIX	
SPRINGRIDE	
VIBRACOUSTIC	

Aplicaciones principales / Main applications

INDUSTRIAL	
------------	--

0164390

T25



Listado de equivalencias / Cross list

AIRKRAFT	2B-225T.L. (0164390)
C. F. GOMMA	
CONTITECH	FD200-25
FIRESTONE	20C2 W01M587679
GART	T291/2B (0184030)
GOODYEAR	2B9-269
PHOENIX	SP2B12RA10
SPRINGRIDE	S09280
VIBRACOUSTIC	VSP2B12RA10

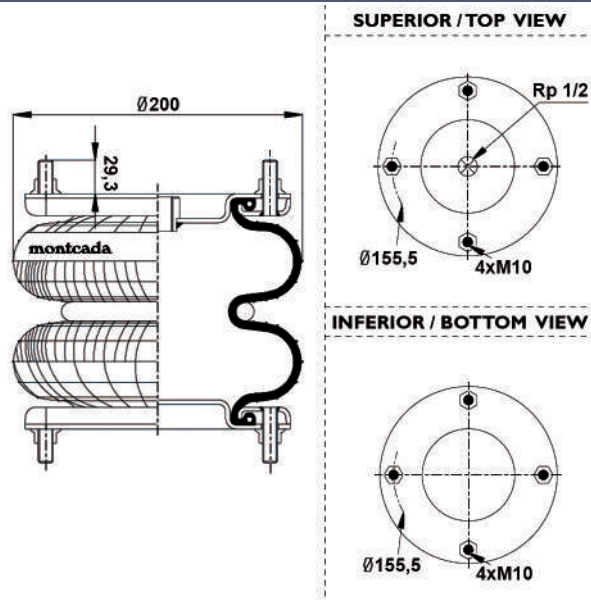
Aplicaciones principales / Main applications

ROR	21221356
-----	----------

• Kit tornillería → FP035

0164400

T26



Listado de equivalencias / Cross list

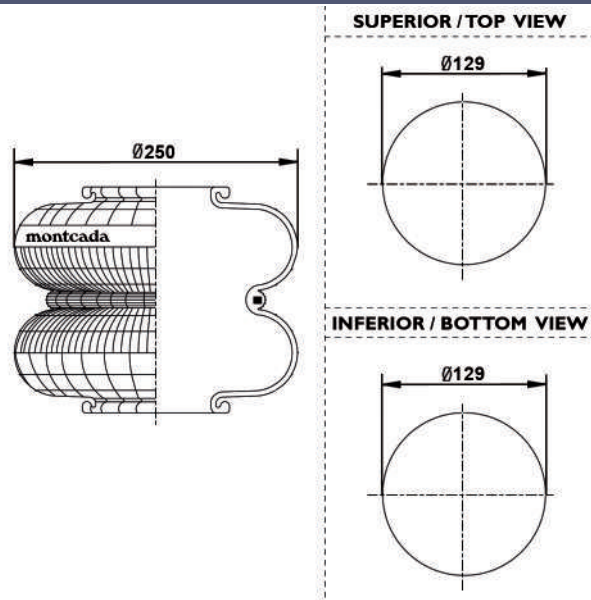
AIRKRAFT	2B-200T.C. (0164400)
C. F. GOMMA	
CONTITECH	FD13818
FIRESTONE	8X2 W01R584058
GART	
GOODYEAR	2B8-2150
PHOENIX	
SPRINGRIDE	SP1490
VIBRACOUSTIC	

Aplicaciones principales / Main applications

LOHR	A06030604
------	-----------

0164410

T27



Listado de equivalencias / Cross list

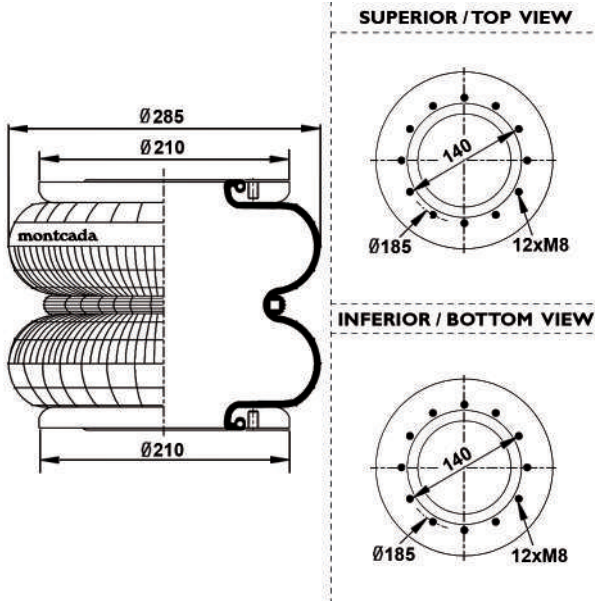
AIRKRAFT	2B-250S.G. (0164410)
C. F. GOMMA	
CONTITECH	620N8
FIRESTONE	260 W010950219
GART	
GOODYEAR	
PHOENIX	2B15R
SPRINGRIDE	
VIBRACOUSTIC	V2B15R

Aplicaciones principales / Main applications

BPW	0220020800
-----	------------

0164420

T28



Listado de equivalencias / Cross list

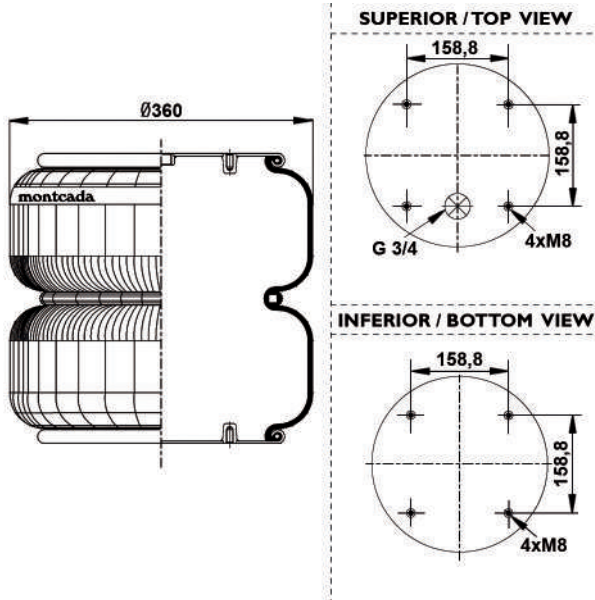
AIRKRAFT	2B-285C.A. (0164420)
C. F. GOMMA	
CONTITECH	608M
FIRESTONE	
GART	
GOODYEAR	
PHOENIX	2B20R
SPRINGRIDE	
VIBRACOUSTIC	V2B20R

Aplicaciones principales / Main applications

BPW	0542900010
-----	------------

0164440

T29



Listado de equivalencias / Cross list

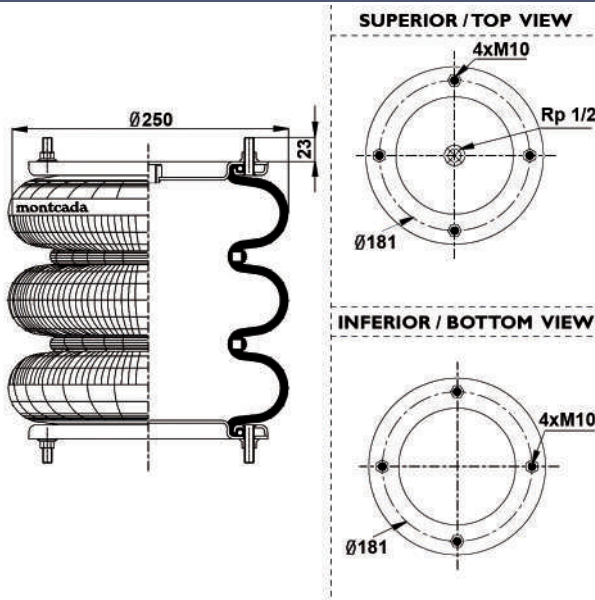
AIRKRAFT	2B-360T.L. (0164440)
C. F. GOMMA	
CONTITECH	
FIRESTONE	
GART	
GOODYEAR	
PHOENIX	SP2B34RB
SPRINGRIDE	
VIBRACOUSTIC	SP2B34RB

Aplicaciones principales / Main applications

KÄSSBOHRER	4731034200
------------	------------

0164450

T30



Listado de equivalencias / Cross list

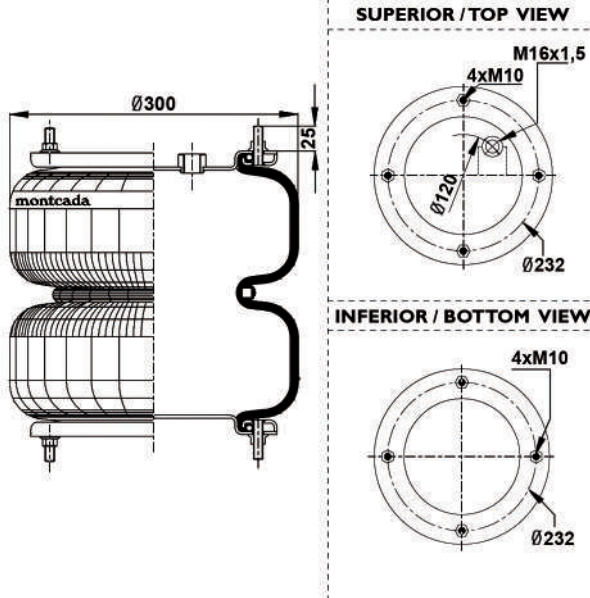
AIRKRAFT	3B-255T.C. (0164450)
C. F. GOMMA	
CONTITECH	FT210-32
FIRESTONE	10X3 W01R584059
GART	
GOODYEAR	SP1539
PHOENIX	
SPRINGRIDE	10X3 SP1539
VIBRACOUSTIC	

Aplicaciones principales / Main applications

SAMRO	H2500010
-------	----------

0164570

T31



Listado de equivalencias / Cross list

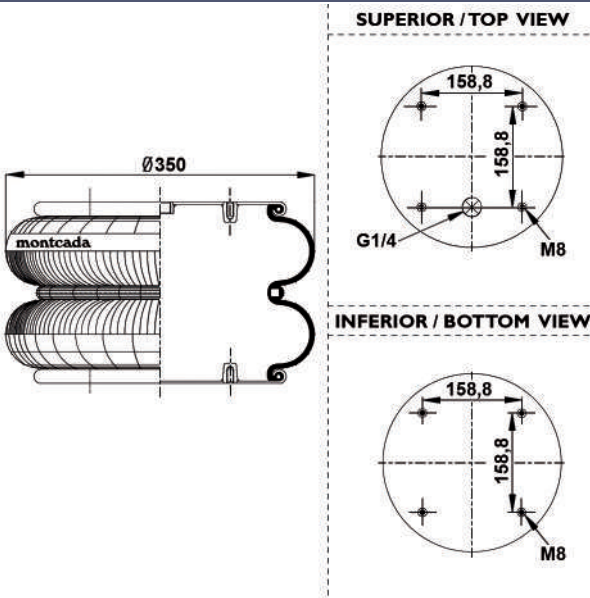
AIRKRAFT	2B-350T.L. (0164570)
C. F. GOMMA	
CONTITECH	
FIRESTONE	12X2 A.NB W01R584038
GART	
GOODYEAR	2B12-2450
PHOENIX	
SPRINGRIDE	12X2 A.NB SP2782NB
VIBRACOUSTIC	

Aplicaciones principales / Main applications

LOHR	A06030622
------	-----------

0164590

T32



Listado de equivalencias / Cross list

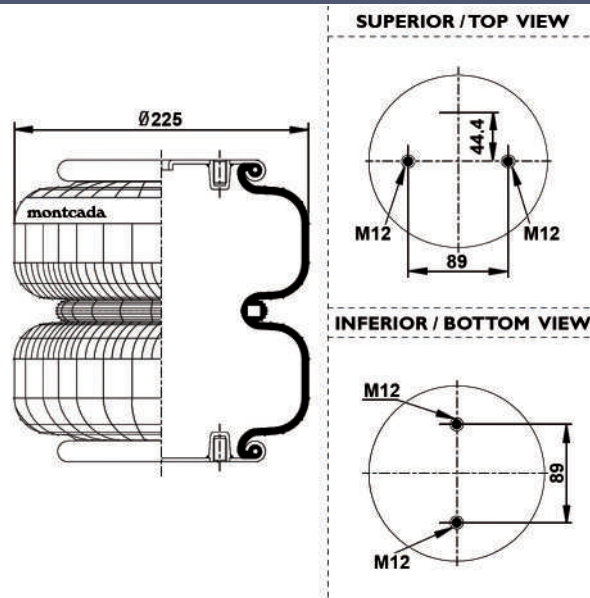
AIRKRAFT	2B-355T.L. (0164590)
C. F. GOMMA	
CONTITECH	FD530-22
FIRESTONE	215 W01M586978
GART	T274 (0184330)
GOODYEAR	2B14-465
PHOENIX	SP2B34R
SPRINGRIDE	
VIBRACOUSTIC	VSP2B34R

Aplicaciones principales / Main applications

CHEREAU	01442
---------	-------

0164960

T33



Listado de equivalencias / Cross list

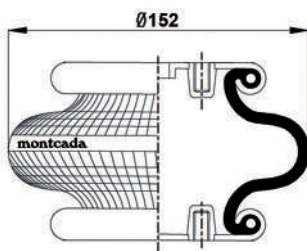
AIRKRAFT	2B-225 SAF (0164960)
C. F. GOMMA	20L
CONTITECH	FD200-25P02
FIRESTONE	20-2 W01M586891
GART	T291/2B
GOODYEAR	2B9-701
PHOENIX	SP2B12RA3
SPRINGRIDE	
VIBRACOUSTIC	VSP2B12RA3/5

Aplicaciones principales / Main applications

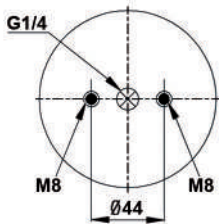
SAF	4229100500
-----	------------

0164970

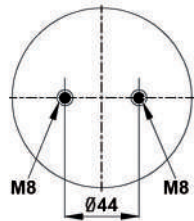
T34



SUPERIOR / TOP VIEW



INFERIOR / BOTTOM VIEW



Listado de equivalencias / Cross list

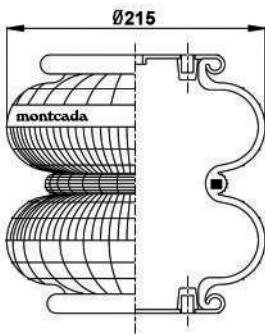
AIRKRAFT	1B-150 (0164970)
C. F. GOMMA	
CONTITECH	FS70-7
FIRESTONE	131 W01M586155
GART	
GOODYEAR	
PHOENIX	SP1B05
SPRINGRIDE	
VIBRACOUSTIC	

Aplicaciones principales / Main applications

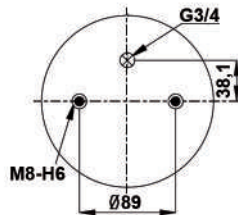
INDUSTRIAL	
------------	--

0164990

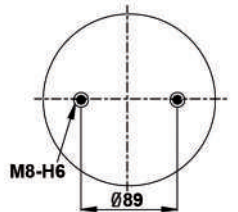
T35



SUPERIOR / TOP VIEW



INFERIOR / BOTTOM VIEW



Listado de equivalencias / Cross list

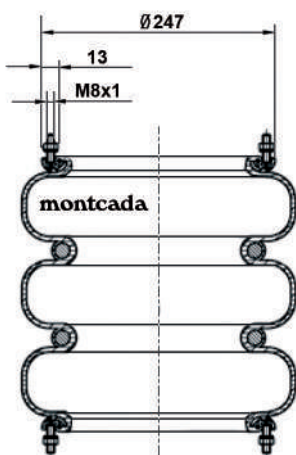
AIRKRAFT	2B-220(38) (0164990)
C. F. GOMMA	
CONTITECH	FD200-19 3/4 M8
FIRESTONE	
GART	
GOODYEAR	
PHOENIX	SP2B12R1
SPRINGRIDE	
VIBRACOUSTIC	VSP2B12R1

Aplicaciones principales / Main applications

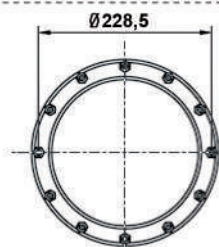
GIGANT	190130
--------	--------

0184040

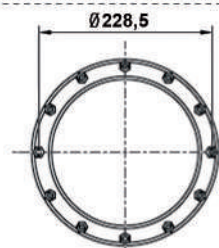
T36



SUPERIOR / TOP VIEW



INFERIOR / BOTTOM VIEW



Listado de equivalencias / Cross list

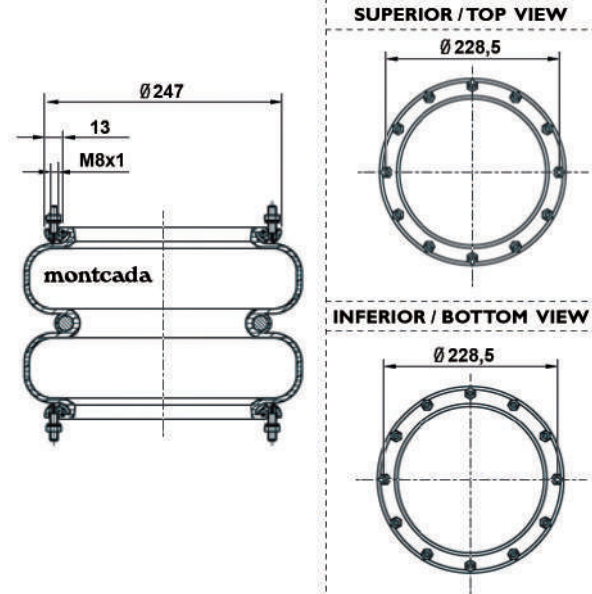
AIRKRAFT	3B300HYD
C. F. GOMMA	T322 (0114060)
CONTITECH	
FIRESTONE	38 W01M587992
GART	T271 (0184040)
GOODYEAR	SP2597NB
PHOENIX	
SPRINGRIDE	12X3 SP2597MB
VIBRACOUSTIC	

Aplicaciones principales / Main applications

IVECO	42107595
-------	----------

0184050

T37



Listado de equivalencias / Cross list

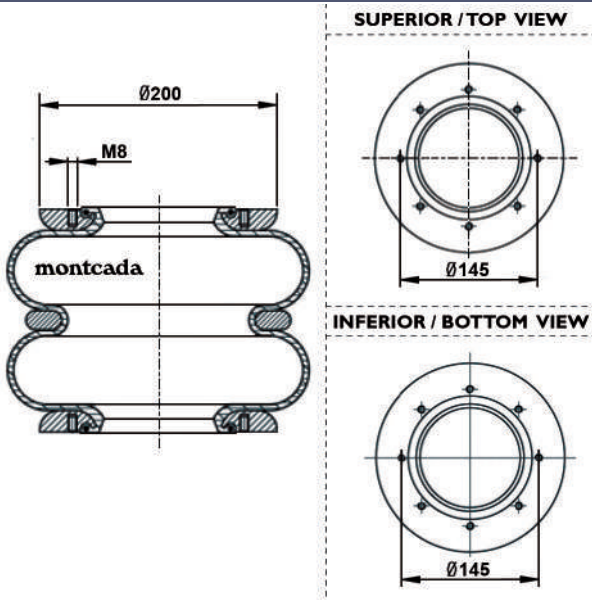
AIRKRAFT	
C. F. GOMMA	T-22 (0114020)
CONTITECH	
FIRESTONE	22 W01M58524
GART	T271/2 (0184050)
GOODYEAR	
PHOENIX	
SPRINGRIDE	
VIBRACOUSTIC	

Aplicaciones principales / Main applications

IVECO	98460983
-------	----------

0184060

T38



Listado de equivalencias / Cross list

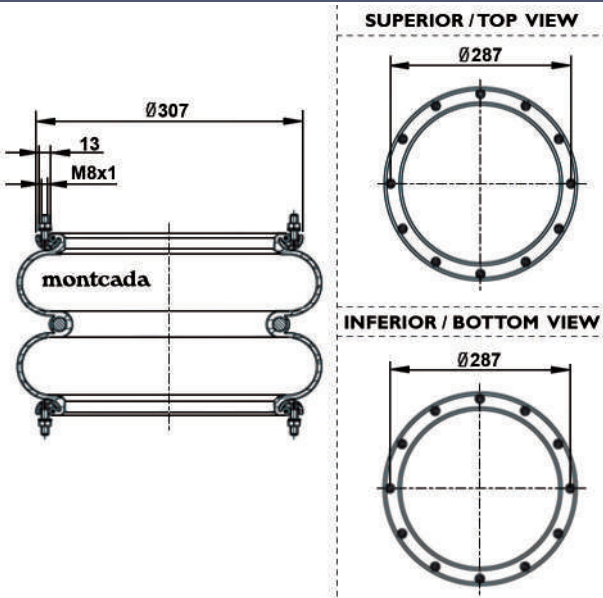
AIRKRAFT	
C. F. GOMMA	T-245(145) (0114090)
CONTITECH	
FIRESTONE	
GART	T272/N (0184060)
GOODYEAR	
PHOENIX	
SPRINGRIDE	
VIBRACOUSTIC	

Aplicaciones principales / Main applications

BPW	0541900280
-----	------------

0184070

T39



Listado de equivalencias / Cross list

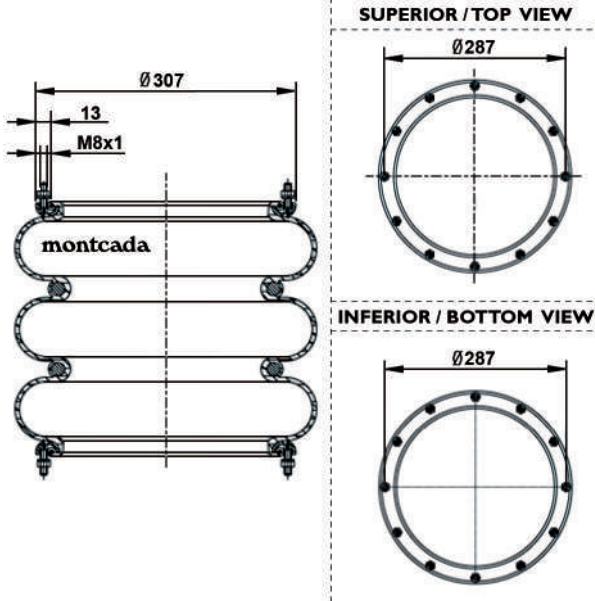
AIRKRAFT	T-21 (0114040)
C. F. GOMMA	
CONTITECH	
FIRESTONE	233 W01M587710
GART	T274 (0184070)
GOODYEAR	
PHOENIX	
SPRINGRIDE	
VIBRACOUSTIC	

Aplicaciones principales / Main applications

IVECO	8194819
-------	---------

0184080

T40



Listado de equivalencias / Cross list

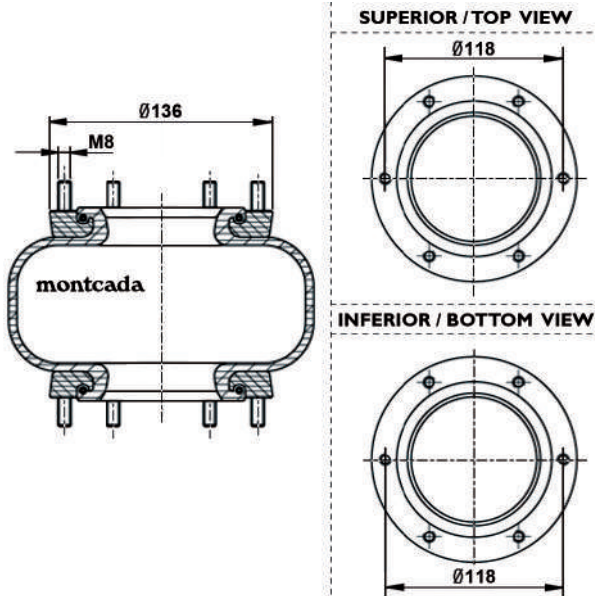
AIRKRAFT	
C. F. GOMMA	T-321 (0114050)
CONTITECH	
FIRESTONE	313 W01M587526
GART	T274/3 (0184080)
GOODYEAR	
PHOENIX	
SPRINGRIDE	
VIBRACOUSTIC	

Aplicaciones principales / Main applications

INDUSTRIAL	
------------	--

0184090

T41



Listado de equivalencias / Cross list

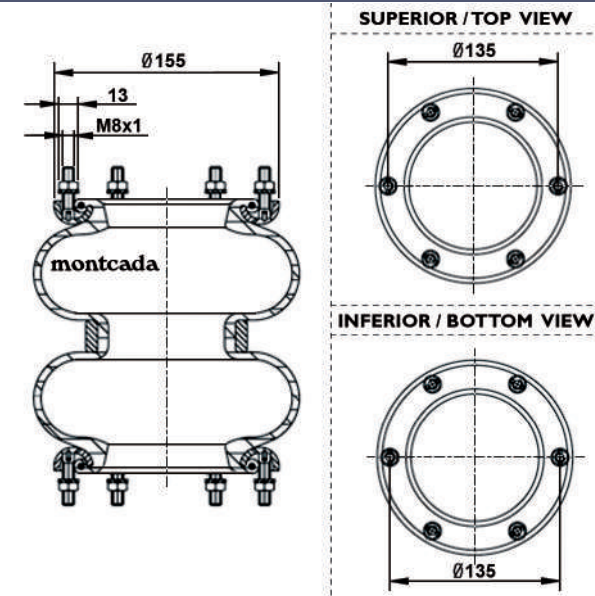
AIRKRAFT	
C. F. GOMMA	T-110 (0114140)
CONTITECH	
FIRESTONE	
GART	T275 (0184090)
GOODYEAR	
PHOENIX	
SPRINGRIDE	
VIBRACOUSTIC	

Aplicaciones principales / Main applications

ROR	21212549
-----	----------

0184100

T42



Listado de equivalencias / Cross list

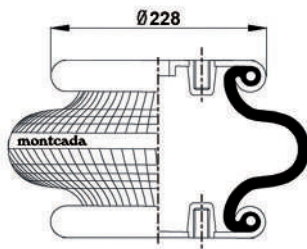
AIRKRAFT	2B-180
C. F. GOMMA	T26 (0114030)
CONTITECH	603N
FIRESTONE	26 W01M586988
GART	T281 (0184100)
GOODYEAR	
PHOENIX	2B07R
SPRINGRIDE	
VIBRACOUSTIC	V2B07R

Aplicaciones principales / Main applications

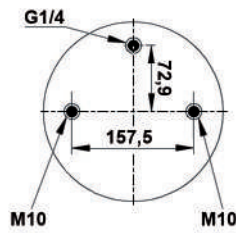
IVECO	42532991
-------	----------

0184220

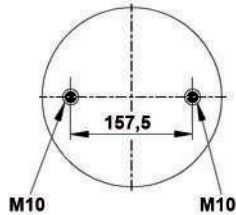
T43



SUPERIOR / TOP VIEW



INFERIOR / BOTTOM VIEW



Listado de equivalencias / Cross list

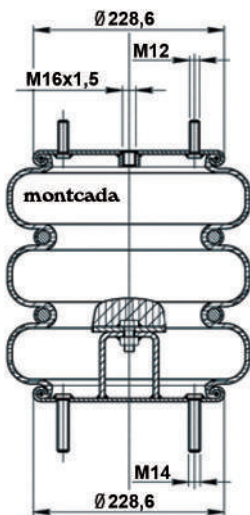
AIRKRAFT	
C. F. GOMMA	T-19
CONTITECH	
FIRESTONE	19 W01M586008
GART	T271/1 (0184220)
GOODYEAR	
PHOENIX	
SPRINGRIDE	
VIBRACOUSTIC	

Aplicaciones principales / Main applications

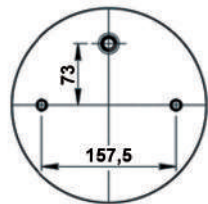
KOGEL	327668
-------	--------

0184310

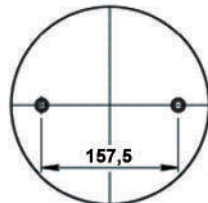
T44



SUPERIOR / TOP VIEW



INFERIOR / BOTTOM VIEW



Listado de equivalencias / Cross list

AIRKRAFT	3B-310
C. F. GOMMA	T322 (0114150)
CONTITECH	
FIRESTONE	
GART	T271/S (0184310)
GOODYEAR	
PHOENIX	
SPRINGRIDE	S12350
VIBRACOUSTIC	

Aplicaciones principales / Main applications

ROLFO	112273
-------	--------



EQUIVALENCIAS

CROSS LIST

TABLA	AIRKRAFT	C.F.GOMMA	CONTITECH	FIRESTONE	GART	GOODYEAR	PHOENIX	SPRINGRIDE	VIBRACOUSTIC
T01		T-28 (0114070)		28 W01M587531					
T02		T-110 (0114080)							
T03	2B-220 (0164010)	T-20	FD200-19/20	20 W01M586887/7887	T291/2 (0184020)	2B9-223/2250	SP2B12R	S09201NB	VSP2B12R
T04	2B-300T.C. (0164020)		FD412-18	12X2NB W01R584061		2B122452		12X2 SP1541NB	
T05	3B-300T.C. (0164030)		FT 412-32	12X3NB W01R584062		3B12-2452 SP891NB		12X3 SP1542NB	
T06	2B-300T.L. (0164040)		FD418-18P01	12X2NB W01R584073		2B12-457 SP1984		12X2 SP2665NB	
T07	3B-300T.L. (0164050)		FT412-32P01	12X3NB W01R584037		SP2666NB		12X3 SP2666NB	
T08	2B-220-3 (0164060)	T-20	FD200-19P04	20F W01M587894/6891	T291/2 (0184350)	2B9-700/287	SP2B12R-3/R-5	S09208	VSP2B12R-5
T09	2B-285 S.G. (0164110)		608N				2B20R		V2B20R
T10	2B-400 T.C. (0164120)		FD816-30	16X2 W01R584067				16X2 SP1557	
T11	2B-301T.L. (0164130)	22B	FD 330-22/30	22 W013587180		2B12-425/S12201	SP2B22R	SI2201/S12202	VSP2B22R
T12	2B-320T.C. (164220)			22-1-5 W016817688/7440/7443		2B12-305		12X2 A25 S12280	
T13	2B-255T.C. (0164230)		FD210-22	10X2 W01R584058		SP1538		10X2 SP1538	
T14	2B-370T.C. (0164240)		FD614-26	141/2X2 W01R584064		SP1556		141/2X2 SP1556	
T15	1B-190T.C. (0164245)	116	FS120-9	116B W01M586166				8X1 S08100	
T16	2B-370T.L. (0164250)		FD614-16P01			SP1988		141/2X2 SP1988	
T17	SB-360S.G. (0164280)						2B34RB		V2B34RB
T18	2B-301 (0164285)	T22 88544					SP2B22-R151666		
T19	3B-370T.C. (0164290)		FT614-361/2 M10	141/2X3 W01R584065		SP1558		141/2X3 SP1558	
T20	3B-370T.L. (0164310)		FT614-36S			SP1983		141/2X3SP1983	
T21	3B-400T.C. (0164320)		FT816-40	16X3 W01R584068		SP2141		16X3 SP2141	
T22	2B-180T.C. (0164350)		FD120-17	26 W01M586378		2B7-540		8X2 S08201	



EQUIVALENCIAS

CROSS LIST

TABLA	AIRKRAFT	C.F.GOMMA	CONTITECH	FIRESTONE	GART	GOODYEAR	PHOENIX	SPRINGRIDE	VIBRACOUSTIC
T23	220-60T.L. (0164370)				T291/B (0184010)				
T24	1B-120T.C. (0164380)	T-16	FS50-5	16 W01M586140					
T25	2B-225T.L. (0164390)		FD200-25	20C2 W01M587679	T291/2B (0184030)	2B9-269	SP2B12RA10	S09280	VSP2B12RA10
T26	2B-200T.C. (0164400)		FD13818	8X2 W01-R58-4058		2B8-2150		SP1490	
T27	2B-250S.G. (0164410)		620N8	260 W010950219			2B15R		V2B15R
T28	2B-285C.A. (0164420)		608M				2B20R		V2B20R
T29	2B-360T.L. (0164440)						SP2B34RB		SP2B34RB
T30	3B-255T.C. (0164450)		FT210-32	10X3 W01R584059		SP1539		10X3 SP1539	
T31	2B-350T.L. (0164570)			12X2 A.NB W01R584038		2B12-2450		12X2 A.NB SP2782NB	
T32	2B-355T.L. (0164590)		FD530-22	215 W01M586978	T274 (0184330)	2B14-465	2P2B34R		VSP2B34R
T33	2B-225 SAF (0164960)	20L	FD200-25P02	20-2 W01M586991	T291/2B	2B9-701	SP2B12RA3		VSP2B12RA3/5
T34	1B-150 (0164970)		FS70-7	131 W01-M58-6155			SP1B05		
T35	2B-220(38) (0164990)		FD200-19 3/4 M8				SP2B12R1		VSP2B12R1
T36	3B300HYD	T322 (0114060)		38 W01M587992	T271 (0184040)	SP2597NB		12X3 SP2597MB	
T37		T-22 (0114020)		22 W01M587524	T271/2 (0184050)				
T38		T-245(145) (0114090)			T272/N (0184060)				
T39	T-21 (0114040)			233 W01M587710	T274 (0184070)				
T40		T-321 (0114050)		313 W01M587526	T274/3 (0184080)				
T41		T-110 (0114140)			T275 (0184090)				
T42	2B-180	T26 (0114030)	603N	26 W01M586988	T281 (0184100)		2B07R		V2B07R
T43		T-19		19 W01M586008	T271/1 (0184220)				
T44	3B-310	T322 (0114150)			T271/S (0184310)			S12350	

AUSTERAS

99381001	T41
99381002	T42
99381003	T36
99381024	T39
99381059	T03

BARTOLETTI

91621022	T37
91621026	T42
91621110	T38
91621322	T36
916021322	T36

BATTAGLINO

2207000	T42
41040040	T39

BERTOJA

45401002	T42
----------	-----

BPW

041040040	T39
0220020500	T09
0220020800	T27
0541900280	T38
0542900010	T28

CAMPANA

050500300	T36
-----------	-----

CARDI

58053200	T44
58053300	T49

CHEREAU

01442	T32
-------	-----

DAF

0654464	T03
1307058	T32

GIGANT

190130	T35
190179	T33
196028	T22
881202	T04
881204	T05
881205	T14

GIRELLI

590530	T37
--------	-----

GRANNING

1218	T12
1371	T03
1589	T12
15599	T06
15603	T03
15670	T25
15698	T03
15803	T26
15807	T13
15809	T30
15813	T04
15814	T06
15816	T05
15824	T20
15832	T20
15882	T16
15923	T09
16036	T23
17040	T44

HENDRICKSON

NA1816	T11
NA1821	T21
NA1827	T03
SK5601	T25

IVECO

8194818	T39
8194819	T39
8199004	T42
42107595	T36
42126126	T39
42532991	T42
98460983	T37
99381024	T39

KAISER

WC0740236	T21
-----------	-----

KÄSSBOHRER

4731003000	T09
4731007000	T01
4731024000	T09
4731034100	T17
4731034200	T29
4731045100	T18
4731045300	T18

KOGEL

327668	T43
327669	T43
6501706	T08

LOHR

A06030601	T06
A06030604	T26
A06030605	T20
A06030606	T07
A06030616	T06
A06030622	T31

MAGIRUS

03422571	T09
03422652	T27
03452571	T11

MERCEDES BENZ

A9423270601	T35
A9463280701	T03
A9463281601	T03
A9463282401	T35

RENAULT

5000815749	T10
------------	-----

ROLFO

112115	T36
112273	T44
112321	T44

ROR

21074519	T03
21212549	T41
21221356	T25
21221395	T03
21222663	T03
21225628	T23
21225697	T39

SAF

1608	T08
1609	T33
1618	T08
933818	T10
2229100100	T11
3228100201	T10
3229100100	T11
3229100100	T37
4229100200	T10
4229100400	T08
4229100500	T33
4229100501	T33

SAMRO

2500011	T07
2500021	T13
H2500010	T30
H2500188	T26

SCANIA

1319761	T08
1387283	T08
1387289	T08

SCHMITZ

016808	T25
750377	T11

SMB

F480054	T26
M002297	T07
M002297	T31
M009074	T31
M078246	T31
M80A04	T26
MO63796	T06

ST

05101010	T23
05101501	T36

TERBERG

21074519	T03
----------	-----

TRAS CAR

03003000010	T36
03003000040	T41
03003000090	T38

TROUILLET

HB10350	T06
---------	-----

VIBERTI

128118102	T39
128118103	T36

TROUILLET

HB10350	T06
---------	-----

VOLVO

365431	T03
--------	-----

WEWELER

510008DX	T10
510010DX	T14
US06910F	T03
US07394	T25
US07394C	T25
US07394F	T25
USN410011KD	T04
USN510011KD	T04
USN510016D	T30
USN510018KD	T19

ZORZI

1006500	T38
1006505	T36
1006506	T36
1006508	T41

