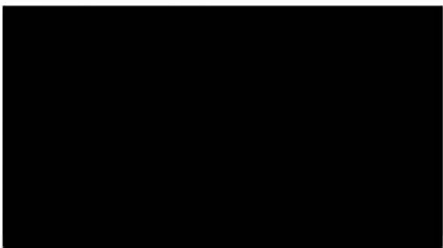
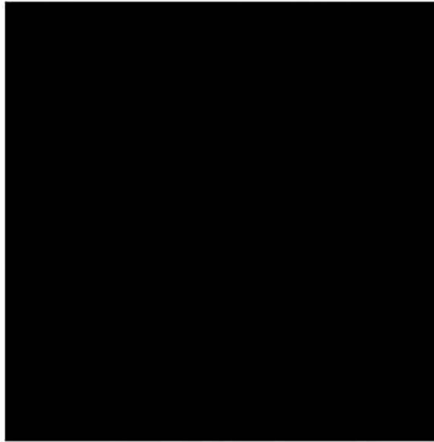


CALDERINES DE AIRE

Air tanks



Sumhiflex

SUMINISTROS
HIDRÁULICOS Y
FLEXIBLES

CALDERINES DE AIRE

AIR TANKS



La introducción de los Calderines de aire completa nuestra amplia gama de productos de material neumático para V.I. La gran variedad de diámetros, medidas y tipos de soportes hace que la gama de calderines ofrecida sea la más amplia del mercado, tanto en aluminio como en acero, ofreciendo un gran stock para entrega inmediata y la posibilidad de traer o fabricar otros modelos bajo pedido.

The introduction of compressed air tanks completes our wide range of pneumatic brand products for V.I. The wide variety of diameters, sizes and types of brackets makes the range of air tanks offered the largest in the market, in aluminium and painted steel, offering a large stock for immediate delivery and the possibility of bringing or manufacturing other models

Los calderines ofrecidos cumplen con las directivas
The air tanks offered meet the standards

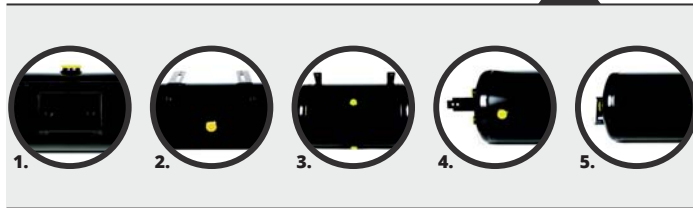
- » 87/404/CEE
- » 2014/29/UE
- » EN286/2



NOMENCLATURA // NOMENCLATURE

REFERENCIA DE MUESTRA // EXAMPLE REFERENCE
TS20601003684001

| PRODUCTO PRODUCT | MATERIAL MATERIAL | DIÁMETRO DIAMETER | CAPACIDAD CAPACITY | LONGITUD LENGTH | Nº BOCAS PORTS No. | SOPORTE BRACKET | Nº ORDINAL ORDINAL No. |
|---------------------|----------------------|----------------------|-----------------------|--------------------|-----------------------|--------------------|---------------------------|
| T | S | 206 | 010 | 0368 | 4 | 0 | 01 |



| | | |
|------------|------------------------|--|
| T | producto/product | calderín/air tank |
| S | material/material | acero/steel |
| A | material/material | aluminio/aluminium |
| 154 | diámetro/diameter | Ø154 |
| 206 | diámetro/diameter | Ø206 |
| 246 | diámetro/diameter | Ø246 |
| 276 | diámetro/diameter | Ø276 |
| 296 | diámetro/diameter | Ø296 |
| 310 | diámetro/diameter | Ø310 |
| 396 | diámetro/diameter | Ø396 |
| --- | capacidad/capacity | 005, 010, 040, 060, 100, ... |
| --- | longitud/length | 0368, 0605, 0680, 0510, 0356, ... |
| - | nº bocas/ports no. | 3, 4 o 5 |
| 0 | soporte/bracket | sin soportes/without bracket |
| 1 | soporte/bracket | soporte U soldado/welded U bracket |
| 2 | soporte/bracket | cartelas soldadas alas interior/welded bracket inward wings |
| 3 | soporte/bracket | cartelas soldadas alas exterior/welded bracket outward wings |
| 4 | soporte/bracket | soportes soldados en extremos/welded bracket at the ends |
| 5 | soporte/bracket | soportes U soldados en extremos/welded U bracket at the ends |
| -- | nº ordinal/ordinal no. | 01, 02, 03, ... 98 y 99 |

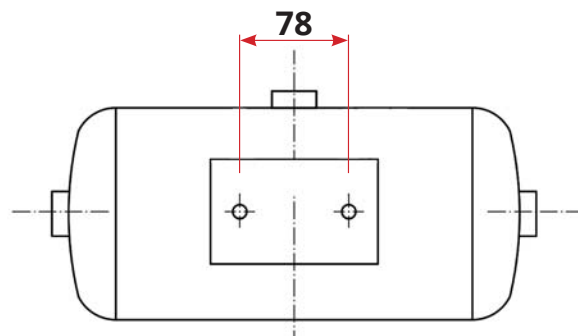
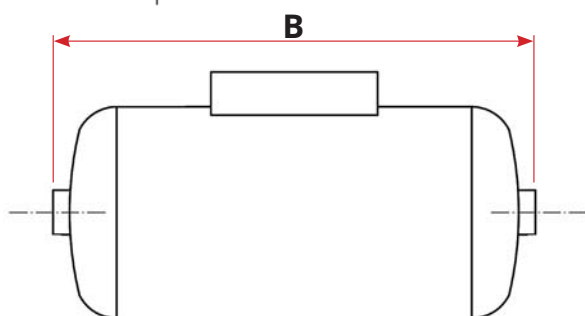
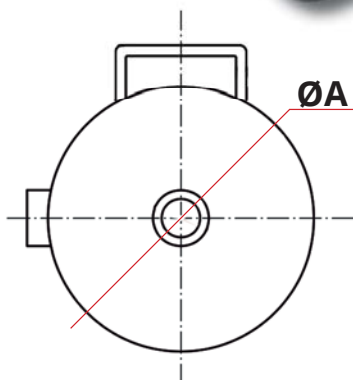
CÓMO MEDIR LOS CALDERINES // HOW TO MESURE AIR TANKS

| | | |
|---|-----------------------------|--|
| PERÍMETRO PERIMETER | $P = 2 \cdot \pi \cdot r$ | Longitud alrededor de la circunferencia. Length around the circumference. |
| RADIO RADIUS | $r = \frac{P}{2 \cdot \pi}$ | Distancia desde el centro a cualquier punto de la circunferencia. Distance from the centre to any point on the circumference. |
| DIÁMETRO DIAMETER | $D = 2 \cdot r$ | Distancia entre dos puntos de la circunferencia pasando por el centro. Distance between two points of the circle passing through the centre. |
| ALTURA O LONGITUD HEIGHT OR LENGTH | h | Tomaremos esta medida desde los dos extremos más salientes del calderín, en estos casos los puertos. We will take this measure from the two most protruding ends of the air tank, in these cases the ports. |
| VOLUMEN VOLUME | $V = \pi \cdot r^2 \cdot h$ | Capacidad. Capacity. |



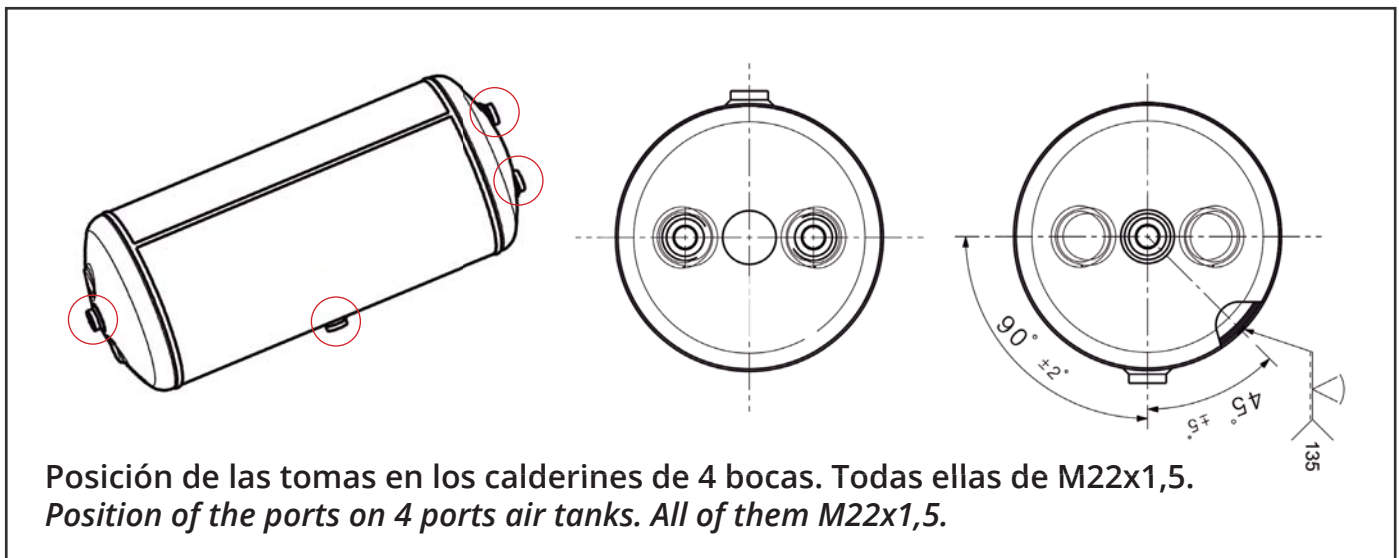
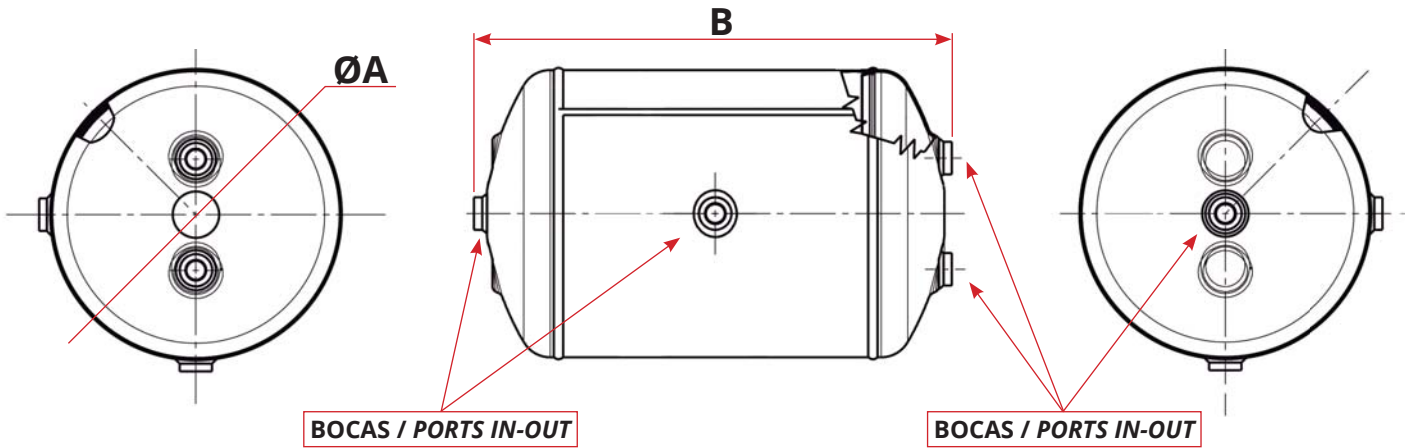


CON SOPORTE
SOLDADO
WITH WELDED
BRACKET



Posición de las tomas en los calderines de 3 bocas. Todas ellas de M22x1,5.
Position of the ports on 3 ports air tanks. All of them M22x1,5.

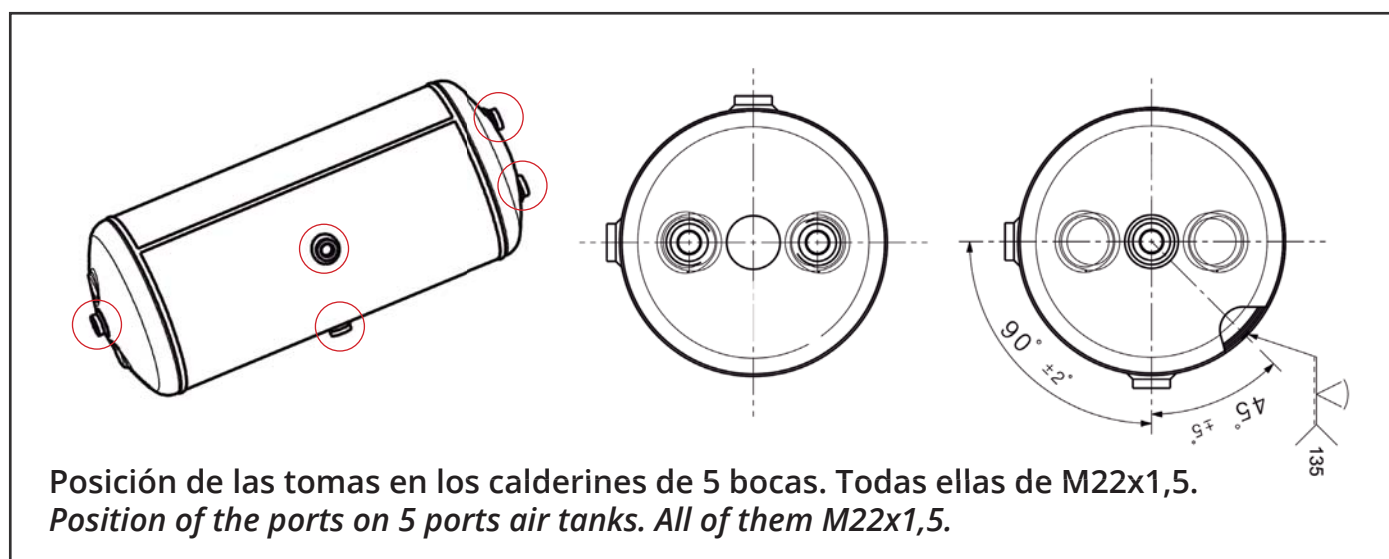
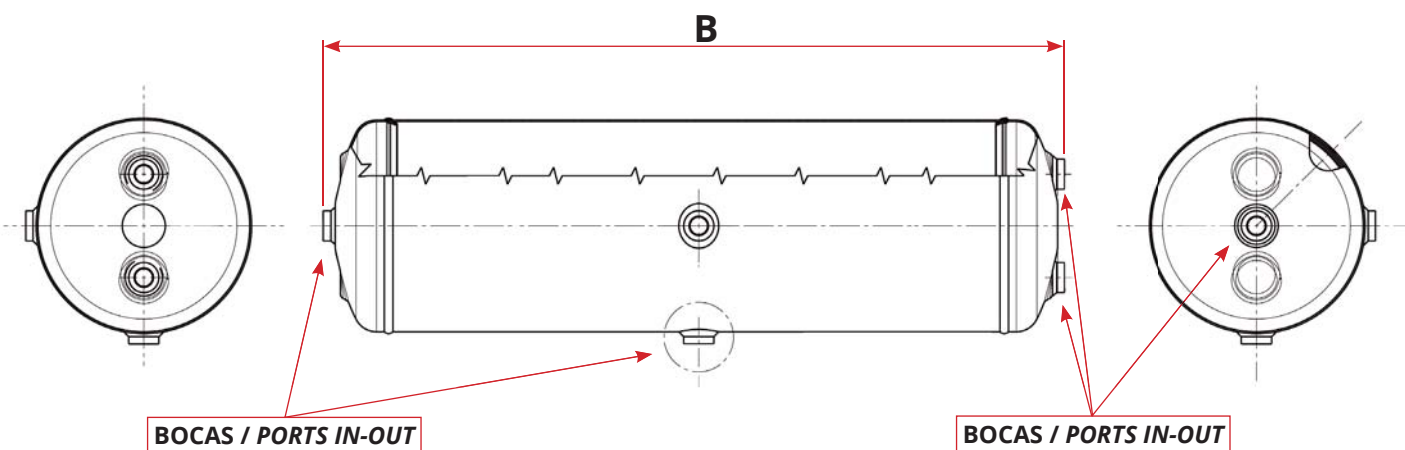
| Ø154 | | | | | | |
|-------------------------|-----------------------|-----|-----|-----------------------------|------------------------------|----------------------------|
| Referencia Reference | Capacidad Capacity | Ø A | B | nº bocas nº ports in/out | Palé (uds.) Pallet (pcs.) | Peso (kg.) Weight (kg.) |
| TS15400503453101 | 5 lt. | 154 | 345 | 3 | 20 | 11 |



| Ø206 | | | | | | |
|-------------------------|-----------------------|-----|-----|-----------------------------|------------------------------|--------------------------|
| Referencia Reference | Capacidad Capacity | Ø A | B | nº bocas nº ports in/out | Palé (uds.) Pallet (pcs.) | Peso (kg) Weight (kg) |
| TS20601003684001 | 10 lt. | 206 | 368 | 4 | 20 | 10 |
| TS20601505264001 | 15 lt. | 206 | 526 | 4 | 20 | 10,5 |
| TS20602006854001 | 20 lt. | 206 | 685 | 4 | 20 | 11,5 |

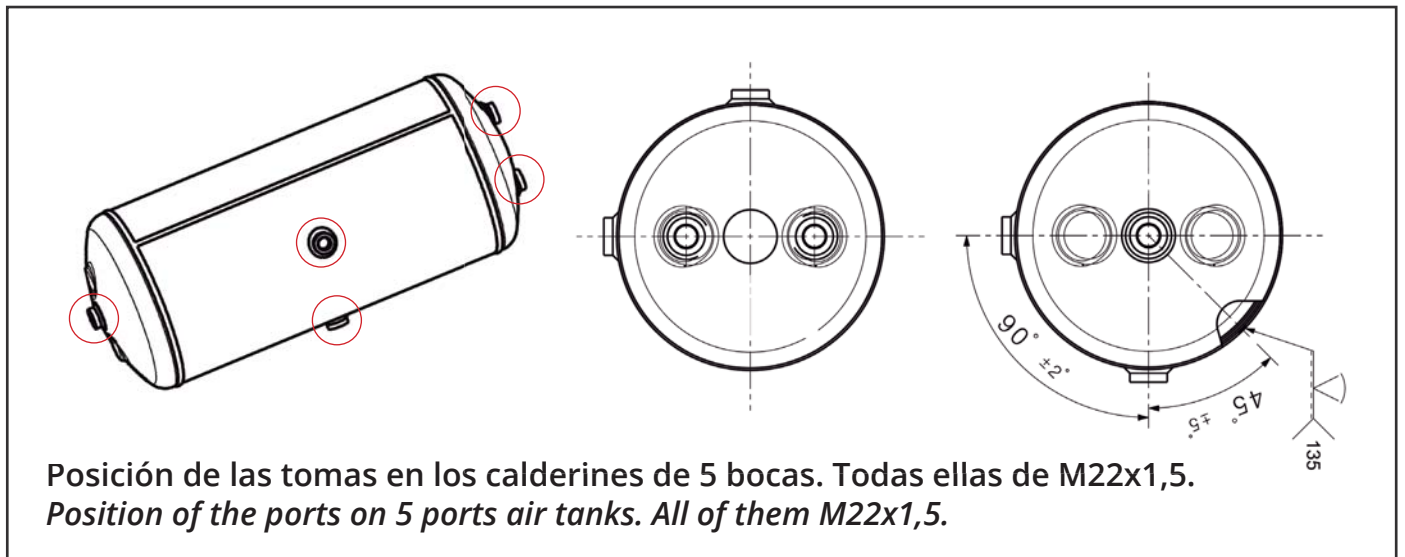
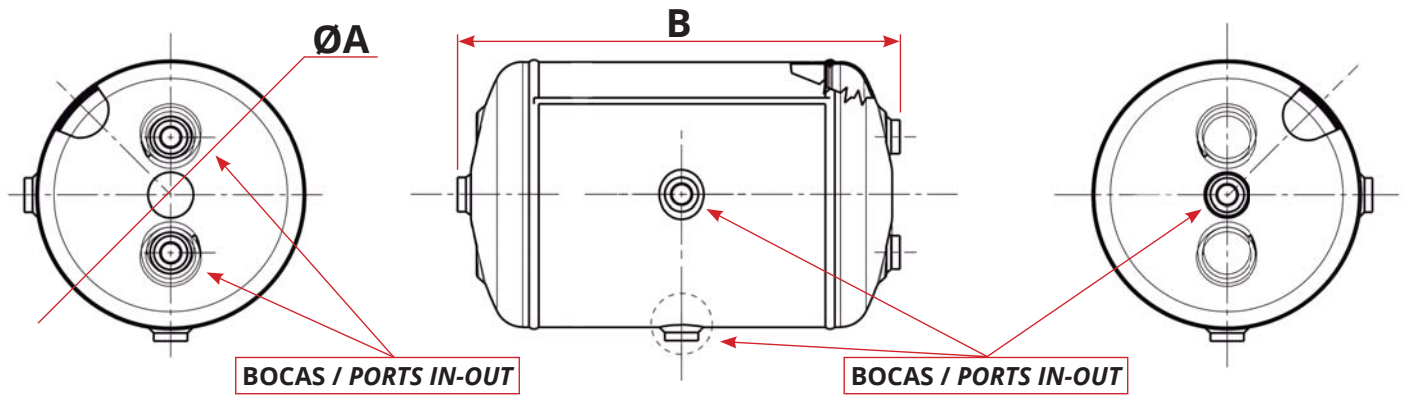
SOPORTE CALDERÍN Ø206 // AIR TANK BRACKET Ø206

| Referencia / Reference | Descripción / Description | |
|------------------------|--|--|
| SV206 | Soporte calderín tipo varilla Ø 206 mm. Rod type air tank supports Ø 206 mm. | |
| SC206 | Soporte calderín tipo cincha Ø 206 mm. Strap type air tank supports Ø 206 mm. | |



| Ø246 | | | | | | |
|-------------------------|-----------------------|-----|-----|-----------------------------|------------------------------|--------------------------|
| Referencia Reference | Capacidad Capacity | Ø A | B | nº bocas nº ports in/out | Palé (uds.) Pallet (pcs.) | Peso (kg) Weight (kg) |
| TS24602005005001 | 20 lt. | 246 | 500 | 5 | 32 | 11,5 |
| TS24603007205001 | 30 lt. | 246 | 720 | 5 | 36 | 13,5 |
| TS24604009395001 | 40 lt. | 246 | 939 | 5 | 36 | 17,5 |

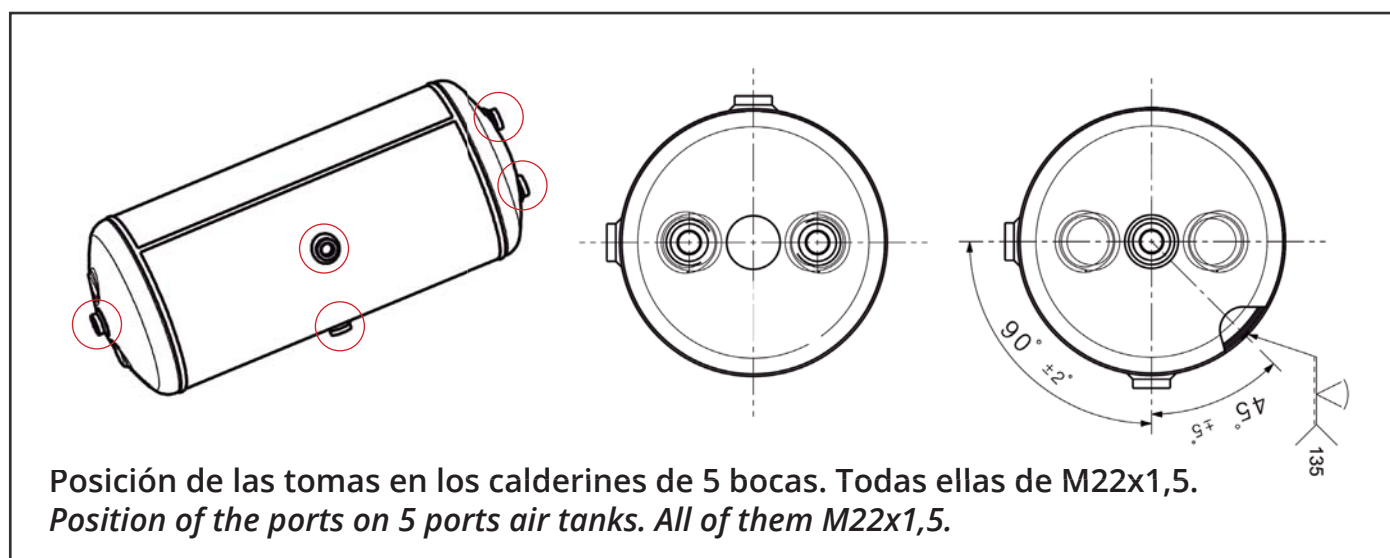
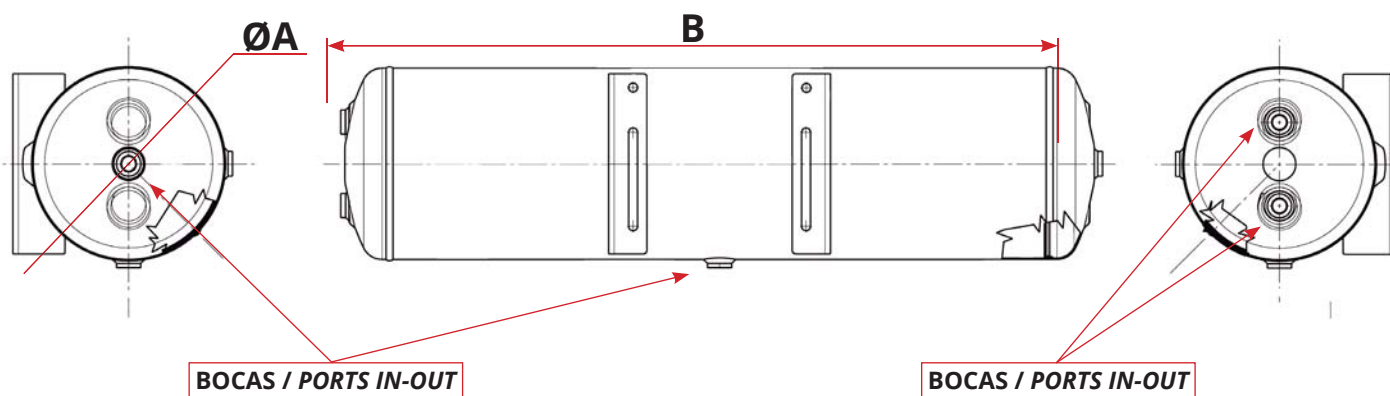
| SOPORTE CALDERÍN ACERO Ø246 // AIR TANK BRACKET Ø246 | |
|---|--|
| Referencia / Reference | Descripción / Description |
| SV250 | Soporte calderín tipo varilla Ø 246-250 mm. Rod type air tank supports Ø 246-250 mm. |
| SC250 | Soporte calderín tipo cincha Ø 246-250 mm. Strap type air tank supports Ø 246-250 mm. |



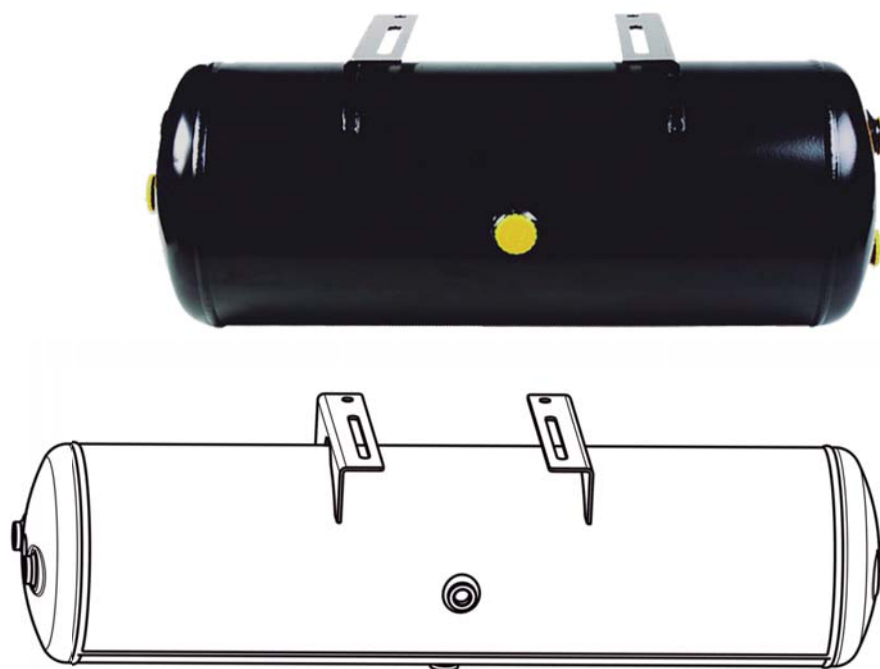
| Ø276 | | | | | | |
|-------------------------|-----------------------|-----|-------|-----------------------------|------------------------------|--------------------------|
| Referencia Reference | Capacidad Capacity | Ø A | B | nº bocas nº ports in/out | Palé (uds.) Pallet (pcs.) | Peso (kg) Weight (kg) |
| TS27602004605001 | 20 lt. | 276 | 460 | 5 | 48 / 24 | 11,5 |
| TS27603006165001 | 30 lt. | 276 | 616 | 5 | 28 / 14 | 12 |
| TS27604007585001 | 40 lt. | 276 | 758 | 5 | 36 / 18 | 13,6 |
| TS27606011005001 | 60 lt. | 276 | 1.100 | 5 | 28 / 14 | 17,5 |

| SOPORTE CALDERÍN Ø276 // AIR TANK BRACKET Ø276 | |
|---|--|
| Referencia / Reference | Descripción / Description |
| SV280 | Soporte calderín tipo varilla Ø 276-280 mm. Rod type air tank supports Ø 276-280 mm. |
| SC280 | Soporte calderín tipo cincha Ø 276-280 mm. Strap type air tank supports Ø 276-280 mm. |

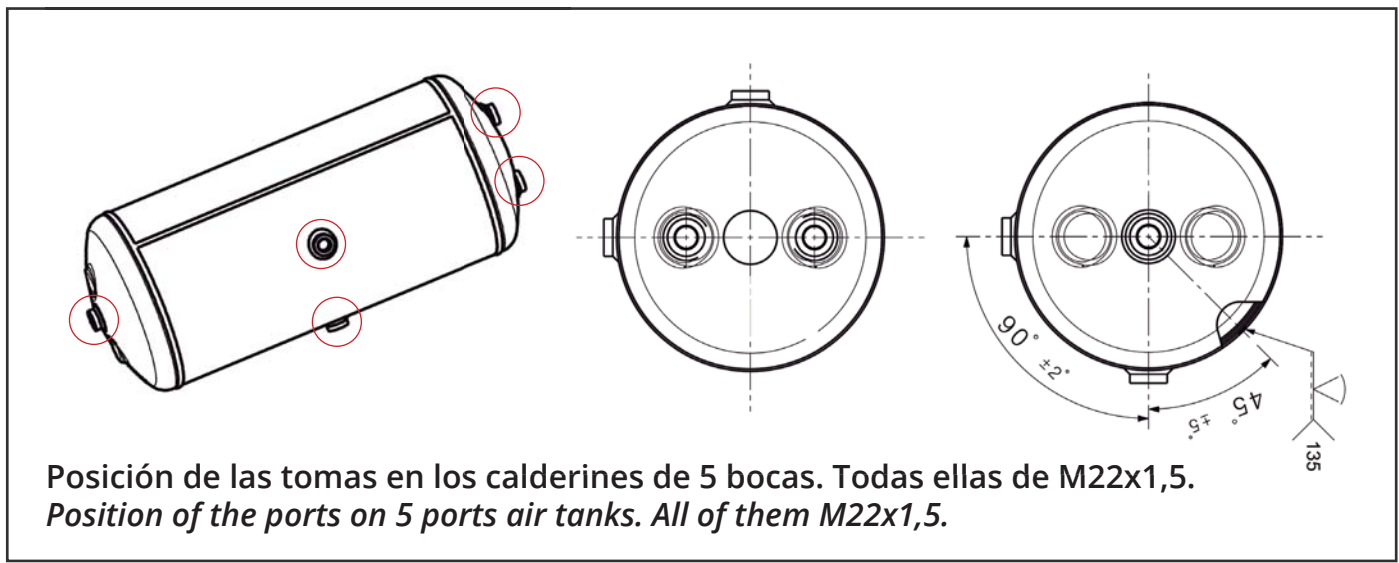
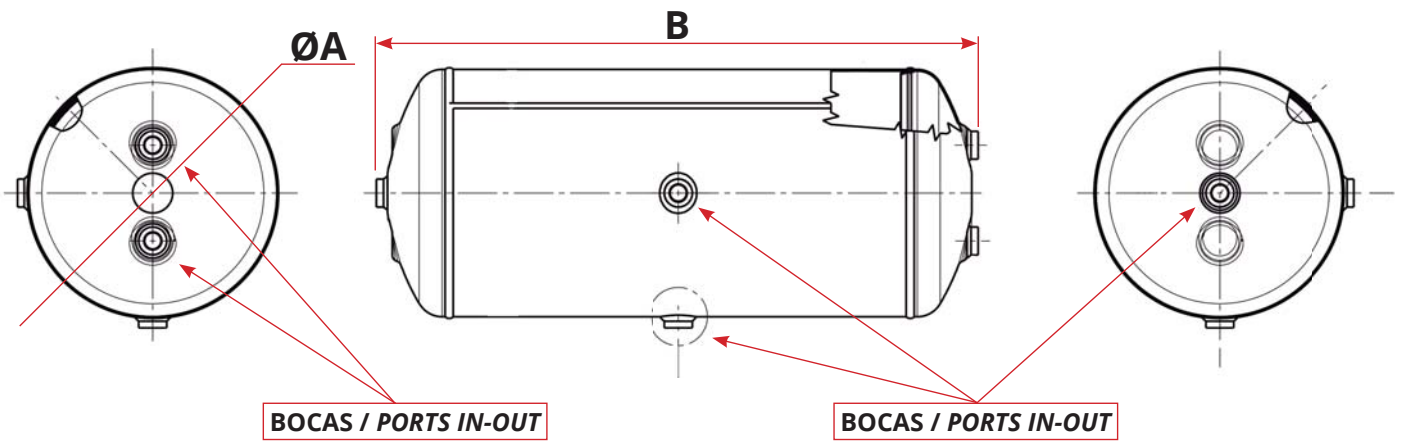




**CON SOPORTE
SOLDADO
WITH WELDED
BRACKET**



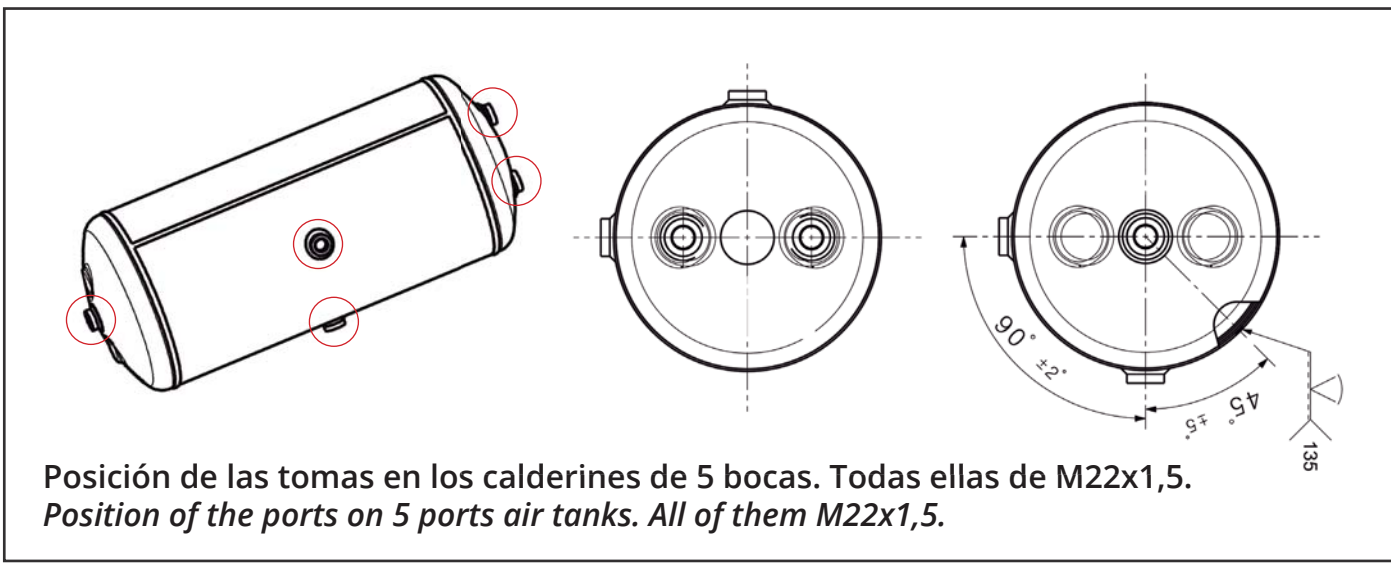
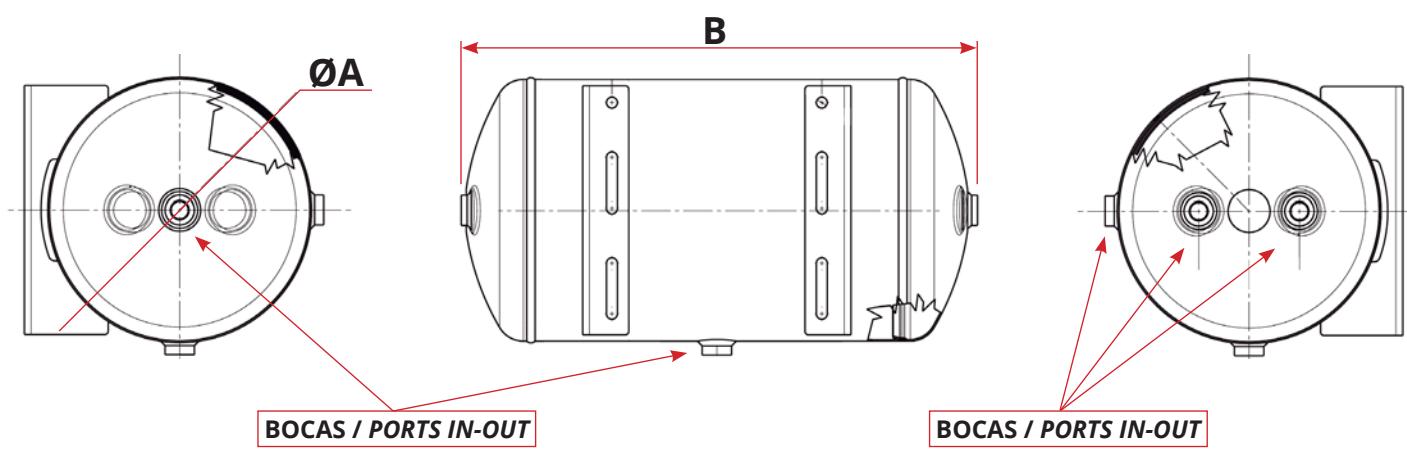
| Ø276 | | | | | | |
|-------------------------|-----------------------|-----|-------|-----------------------------|------------------------------|--------------------------|
| Referencia Reference | Capacidad Capacity | Ø A | B | nº bocas nº ports in/out | Palé (uds.) Pallet (pcs.) | Peso (kg) Weight (kg) |
| TS27604007585201 | 40 lt. | 276 | 758 | 5 | 28 / 14 | 16 |
| TS27606011015201 | 60 lt. | 276 | 1.101 | 5 | 28 / 14 | 20 |



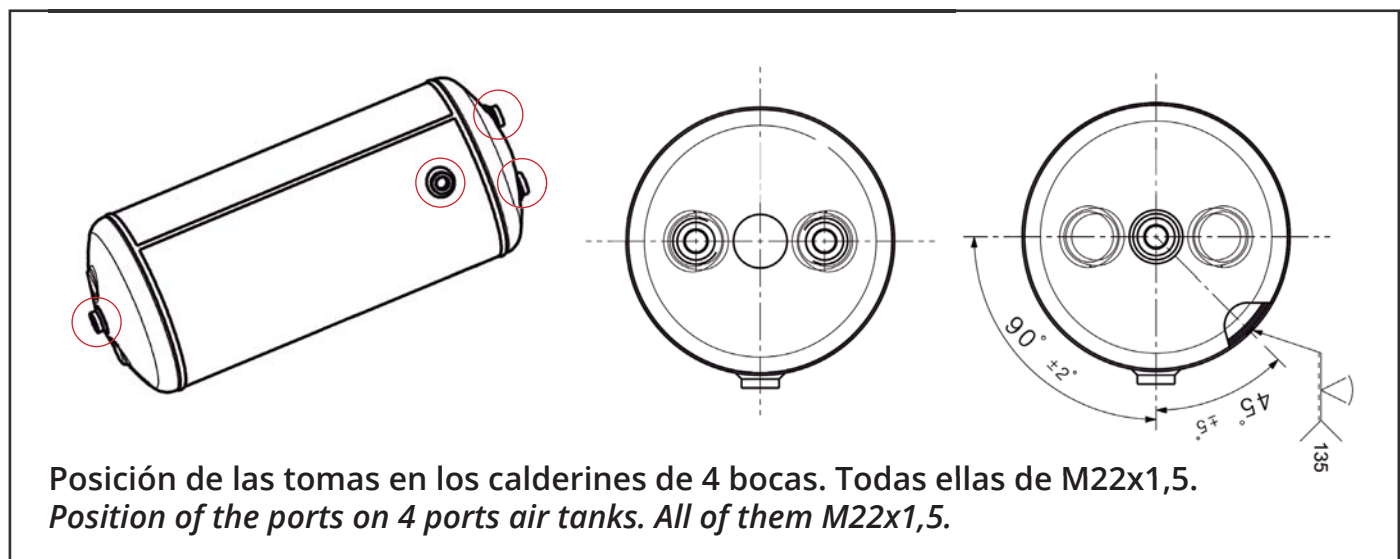
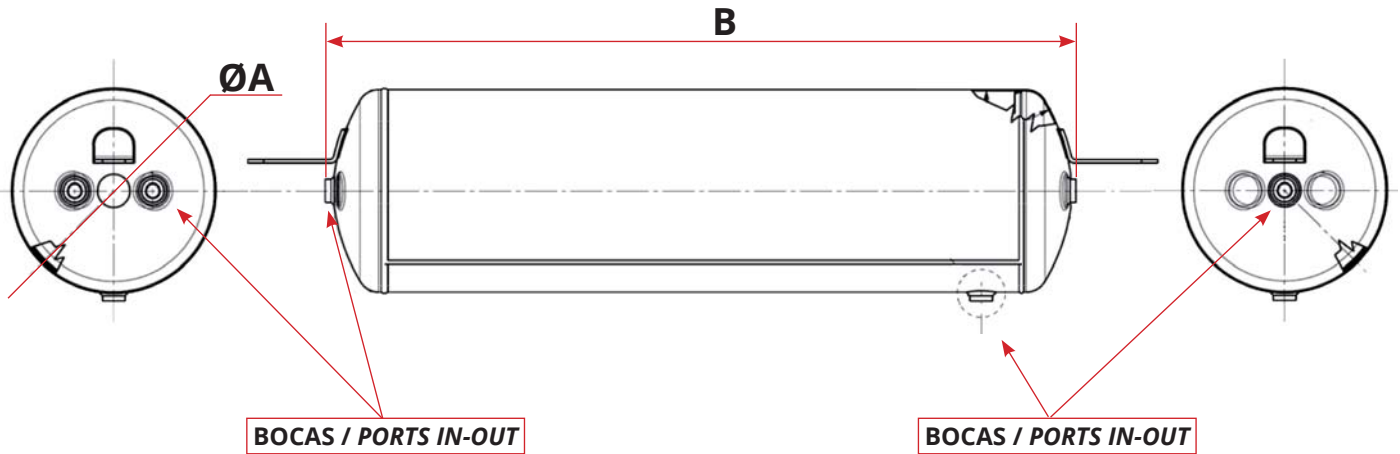
| Ø310 | | | | | | |
|-------------------------|-----------------------|-----|-------|-----------------------------|------------------------------|--------------------------|
| Referencia Reference | Capacidad Capacity | Ø A | B | nº bocas nº ports in/out | Palé (uds.) Pallet (pcs.) | Peso (kg) Weight (kg) |
| TS31002503505001 | 25 lt. | 310 | 350 | 5 | 48 / 24 | 10,5 |
| TS31003005165001 | 30 lt. | 310 | 516 | 5 | 48 / 24 | 11 |
| TS31004006055001 | 40 lt. | 310 | 605 | 5 | 48 / 24 | 12 |
| TS31005007565001 | 50 lt. | 310 | 756 | 5 | 24 | 14 |
| TS31006008915001 | 60 lt. | 310 | 891 | 5 | 24 | 15,7 |
| TS31008011535001 | 80 lt. | 310 | 1.153 | 5 | 24 | 17 |

| SOPORTE CALDERÍN Ø310 // AIR TANK BRACKET Ø310 | |
|---|--|
| Referencia / Reference | Descripción / Description |
| SV310 | Soporte calderín tipo varilla Ø 300-310 mm. Rod type air tank supports Ø 300-310 mm. |
| SC310 | Soporte calderín tipo cincha Ø 300-310 mm. Strap type air tank supports Ø 300-310 mm. |

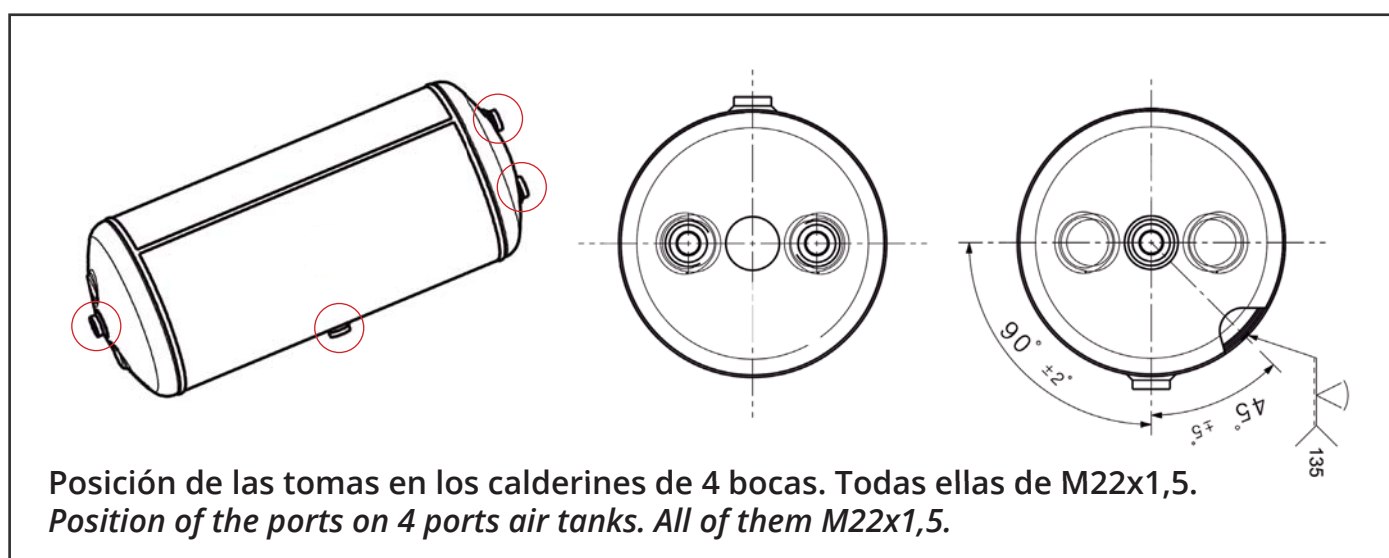
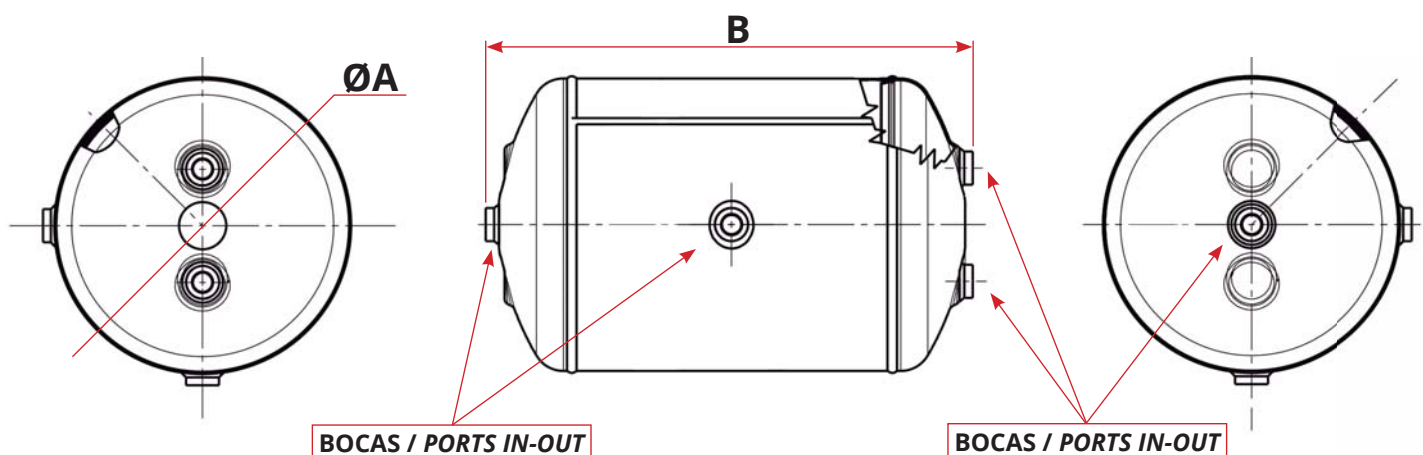




| Ø310 | | | | | | |
|-------------------------|-----------------------|-----|-----|-----------------------------|------------------------------|--------------------------|
| Referencia Reference | Capacidad Capacity | Ø A | B | nº bocas nº ports in/out | Palé (uds.) Pallet (pcs.) | Peso (kg) Weight (kg) |
| TS31004006155201 | 40 lt. | 310 | 615 | 5 | 24 | 15 |
| TS31006008915201 | 60 lt. | 310 | 891 | 5 | 24 | 18 |

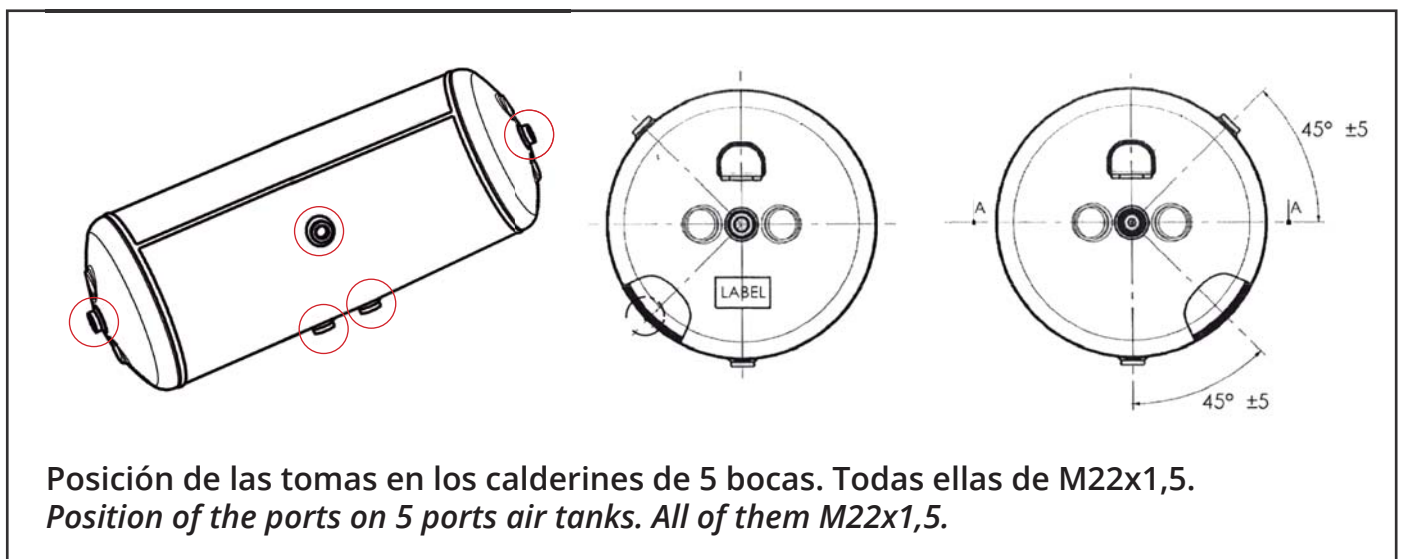
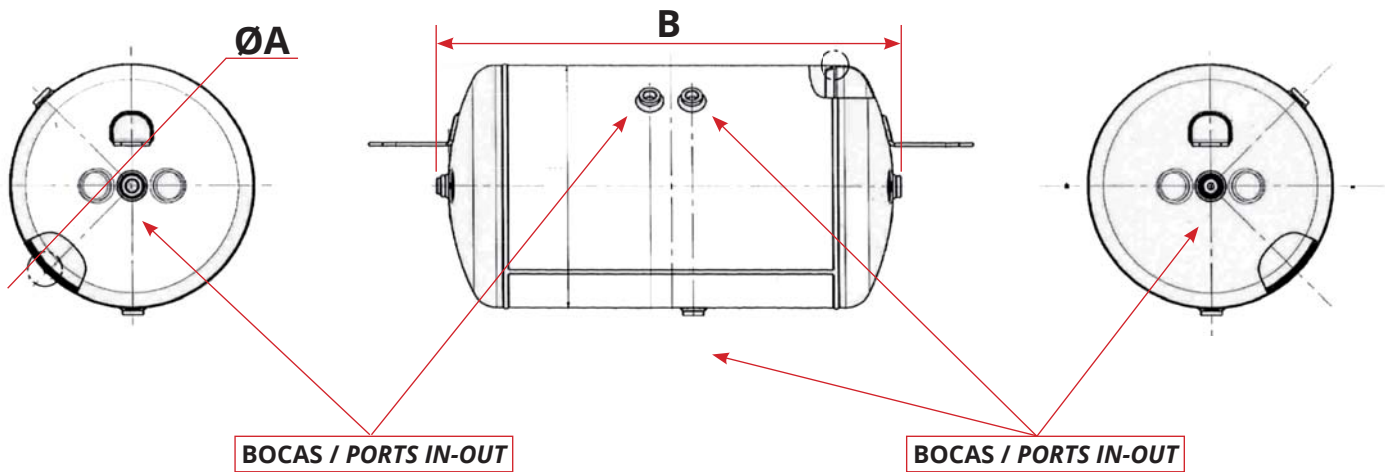


| Ø310 | | Referencia | Capacidad | Ø A | B | nº bocas | Palé (uds.) | Peso (kg) |
|------|--|------------------|-----------|-----|------|-----------------|---------------|-------------|
| | | Reference | Capacity | | | nº ports in/out | Pallet (pcs.) | Weight (kg) |
| | | TS31008011564401 | 80 | 310 | 1156 | 4 | 24 | 18 |

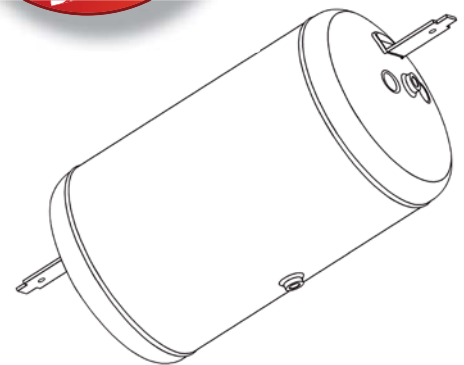


| Ø396 | | | | | | |
|-------------------------|-----------------------|-----|-------|-----------------------------|------------------------------|--------------------------|
| Referencia Reference | Capacidad Capacity | Ø A | B | nº bocas nº ports in/out | Palé (uds.) Pallet (pcs.) | Peso (kg) Weight (kg) |
| TS39606005634001 | 60 lt. | 396 | 563 | 4 | 18 | 21 |
| TS39608007474001 | 80 lt. | 396 | 747 | 4 | 18 | 24 |
| TS39610009134001 | 100 lt. | 396 | 913 | 4 | 18 | 28 |
| TS39612010714001 | 120 lt. | 396 | 1.071 | 4 | 18 | 30 |

| SOPORTE CALDERÍN ACERO Ø396 // AIR TANK BRACKET Ø396 | |
|---|--|
| Referencia / Reference | Descripción / Description |
| SV396 | Soporte calderín tipo varilla Ø 396 mm. Rod type air tank supports Ø 396 mm. |
| SC396 | Soporte calderín tipo cincha Ø 396 mm. Strap type air tank supports Ø 396 mm. |

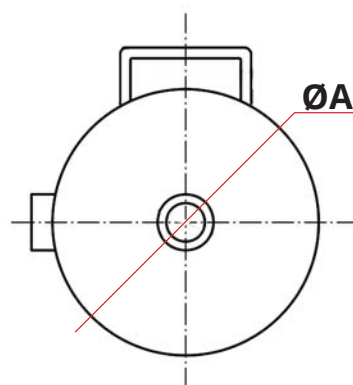


**CON SOPORTE
SOLDADO
WITH WELDED
BRACKET**

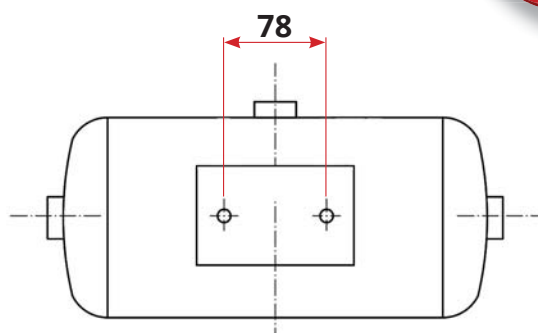
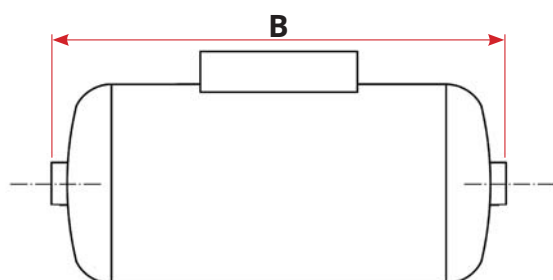


| Ø396 | | | | | | |
|-------------------------|-----------------------|-----|-----|-----------------------------|------------------------------|--------------------------|
| Referencia Reference | Capacidad Capacity | Ø A | B | nº bocas nº ports in/out | Palé (uds.) Pallet (pcs.) | Peso (kg) Weight (kg) |
| TS39608007585401 | 80 | 396 | 758 | 5 | 12 | 25 |

ALUMINIO // ALUMINIUM



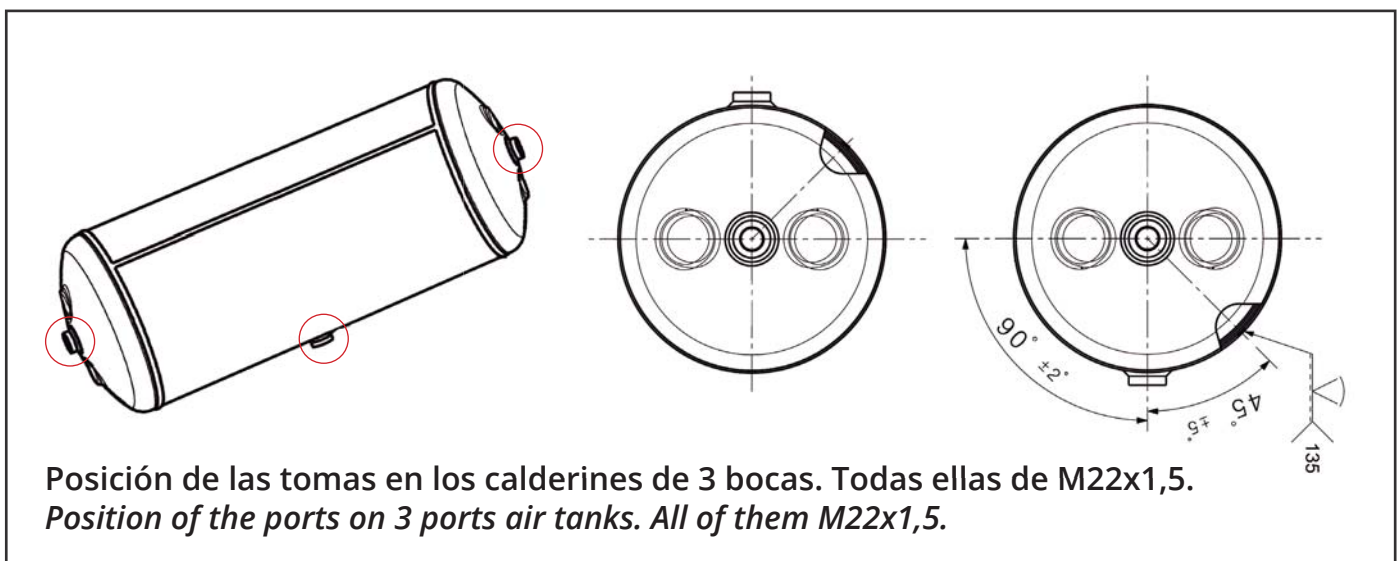
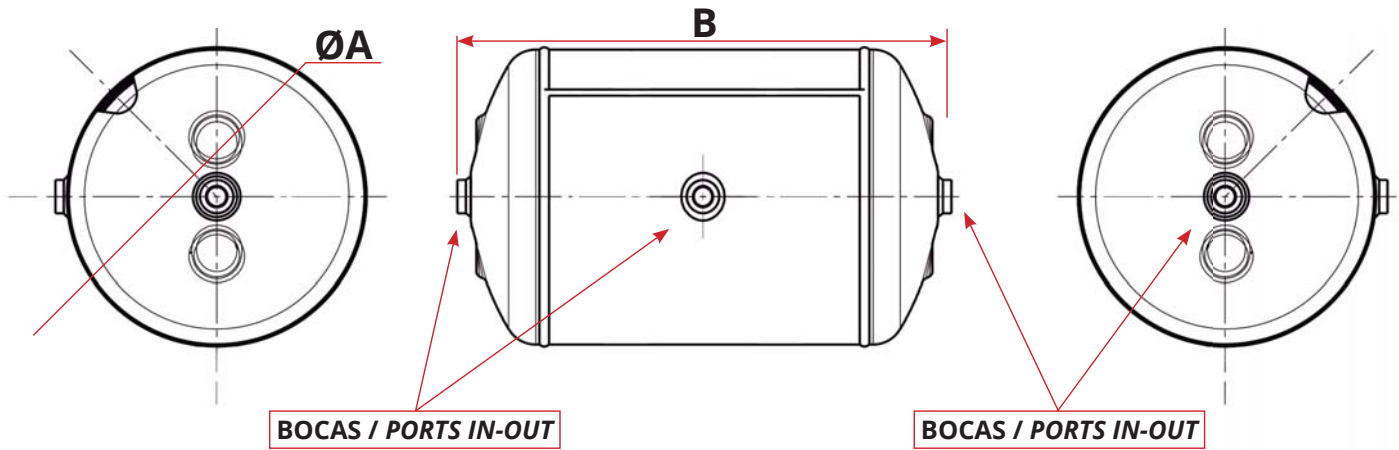
CON SOPORTE SOLDADO
WITH WELDED BRACKET



Posición de las tomas en los calderines de 3 bocas. Todas ellas de M22x1,5.
Position of the ports on 3 ports air tanks. All of them M22x1,5.

| Ø154 | | | | | | |
|-------------------------|-----------------------|-----|-----|-----------------------------|------------------------------|--------------------------|
| Referencia Reference | Capacidad Capacity | Ø A | B | nº bocas nº ports in/out | Palé (uds.) Pallet (pcs.) | Peso (kg) Weight (kg) |
| TA15400503563101 | 5 lt. | 154 | 356 | 3 | 35 | 1,8 |

| Ø206 | | | | | | |
|-------------------------|-----------------------|-----|-----|-----------------------------|------------------------------|--------------------------|
| Referencia Reference | Capacidad Capacity | Ø A | B | nº bocas nº ports in/out | Palé (uds.) Pallet (pcs.) | Peso (kg) Weight (kg) |
| TA20601003753101 | 10 lt. | 206 | 375 | 3 | 35 | 3 |

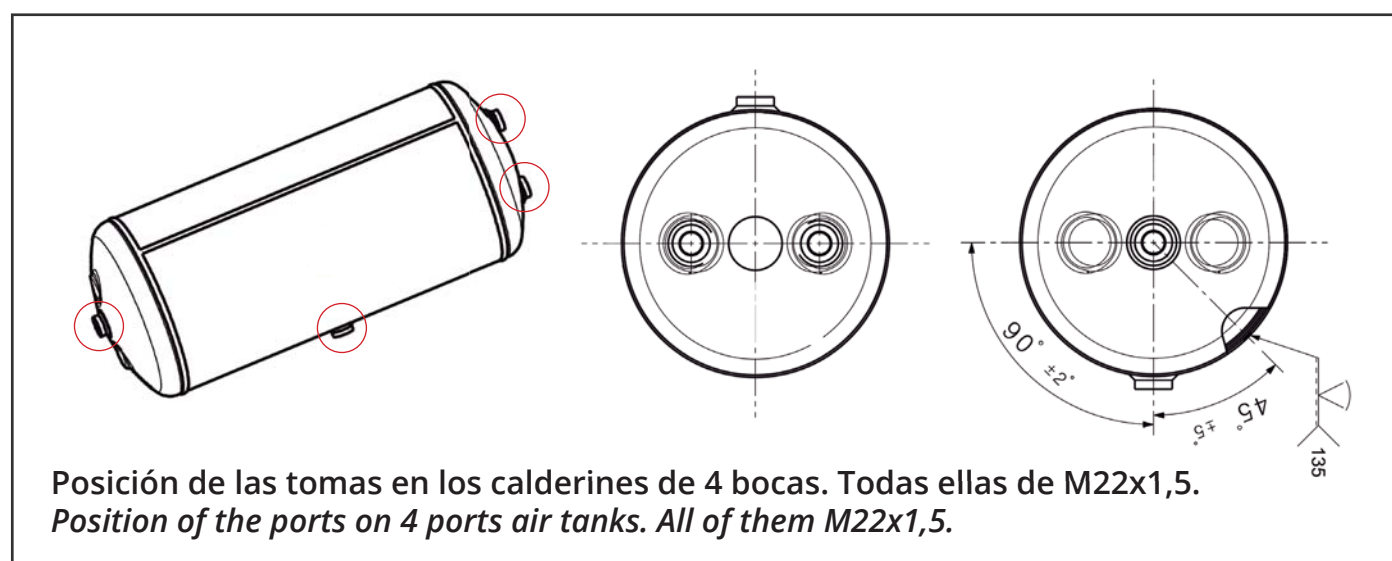
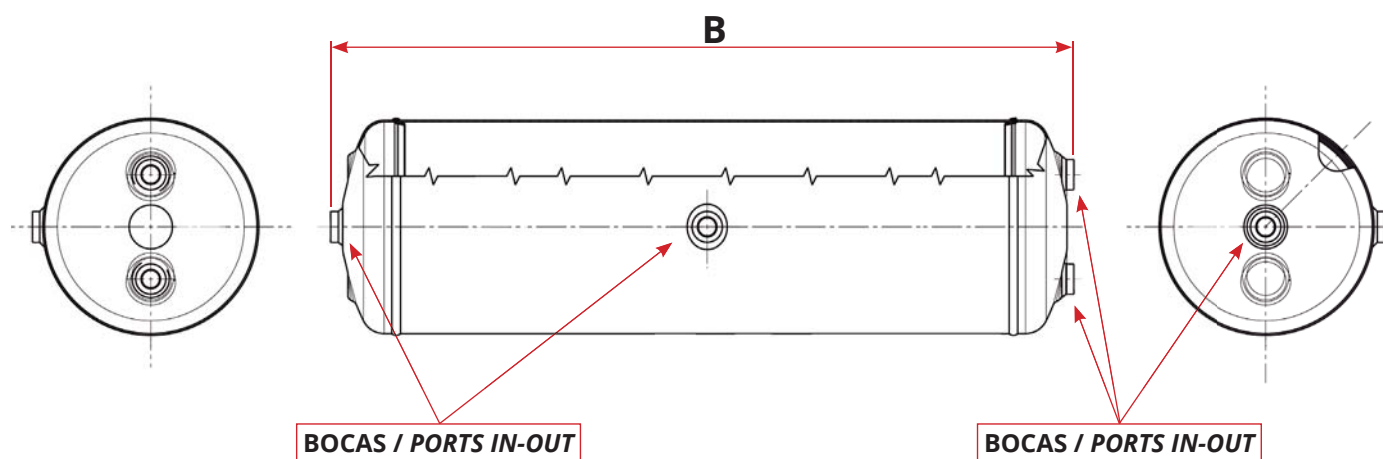


| Ø206 | | | | | | |
|-------------------------|-----------------------|-----|------|-----------------------------|------------------------------|--------------------------|
| Referencia Reference | Capacidad Capacity | Ø A | B | nº bocas nº ports in/out | Palé (uds.) Pallet (pcs.) | Peso (kg) Weight (kg) |
| TA20601003753001 | 10 lt. | 206 | 375 | 3 | 35 | 2,4 |
| TA20601505384001* | 15 lt. | 206 | 538 | 4 | 35 | 3,2 |
| TA20602007004001 | 20 lt. | 206 | 700 | 4 | 35 | 4,1 |
| TA20602007944001* | 23 lt. | 206 | 794 | 4 | 35 | 4,6 |
| TA20603010024001 | 30 lt. | 206 | 1002 | 4 | 35 | 5,7 |
| TA20603411384001* | 34 lt. | 206 | 1138 | 4 | 35 | 6,3 |
| TA20604013534001* | 40 lt. | 206 | 1353 | 4 | 35 | 7,4 |

*Bajo pedido. / No standard article; please ask for availability.

| SOPORTE CALDERÍN Ø206 // AIR TANK BRACKET Ø206 | |
|---|---|
| Referencia / Reference | Descripción / Description |
| SV206 | Soporte calderín tipo varilla Ø 206 mm. Rod type air tank supports Ø 206 mm. |

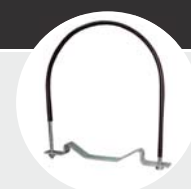


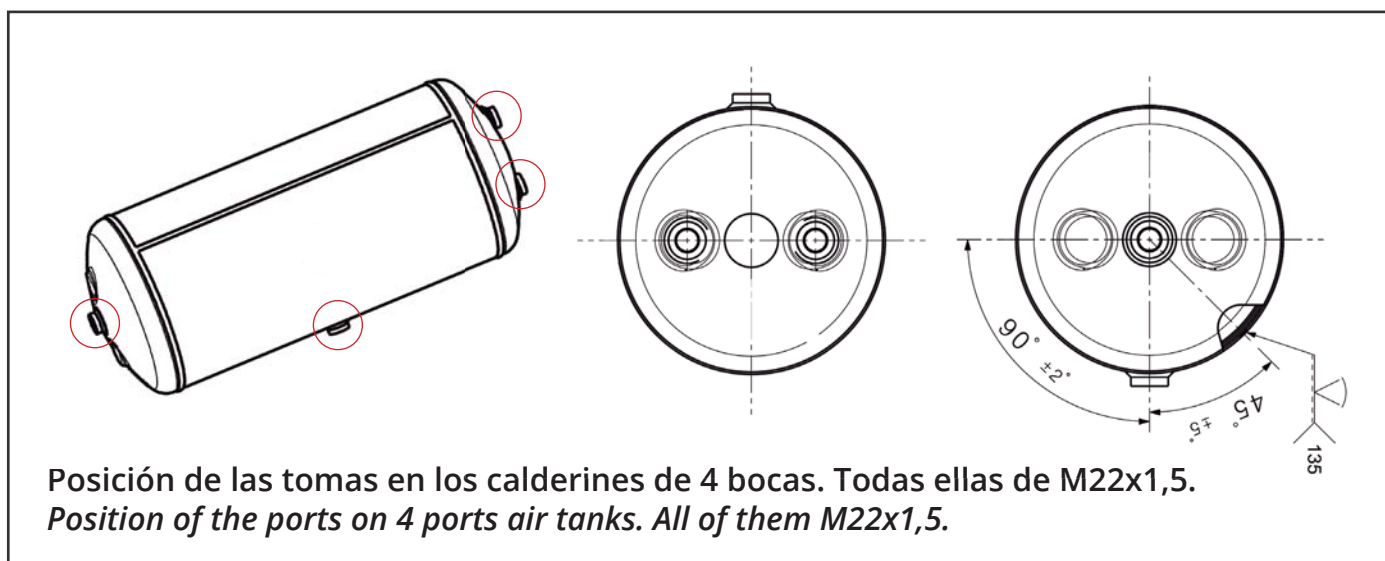
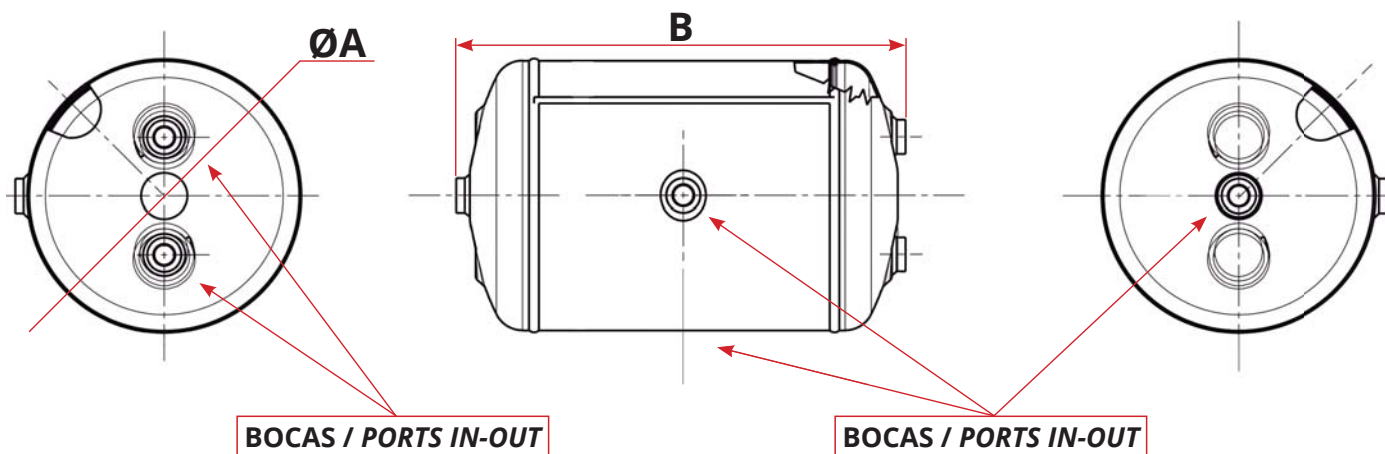


| Ø246 | | | | | | |
|-------------------------|-----------------------|-----|-----|-----------------------------|------------------------------|--------------------------|
| Referencia Reference | Capacidad Capacity | Ø A | B | nº bocas nº ports in/out | Palé (uds.) Pallet (pcs.) | Peso (kg) Weight (kg) |
| TA24601002934001* | 10 lt. | 246 | 293 | 4 | 35 | 2,3 |
| TA24602005104001 | 20 lt. | 246 | 510 | 4 | 35 | 3,7 |
| TA24602506154001* | 25 lt. | 246 | 615 | 4 | 35 | 4,3 |
| TA24602806804001* | 28 lt. | 246 | 680 | 4 | 35 | 4,8 |
| TA24603007304001 | 30 lt. | 246 | 730 | 4 | 35 | 5 |
| TA24604009454001* | 40 lt. | 246 | 945 | 4 | 35 | 6,4 |

*Bajo pedido. / No standard article; please ask for availability.

| SOPORTE CALDERÍN Ø246 // AIR TANK BRACKET Ø246 | |
|---|---|
| Referencia / Reference | Descripción / Description |
| SV250 | Soporte calderín tipo varilla Ø 246 mm. Rod type air tank supports Ø 246 mm. |



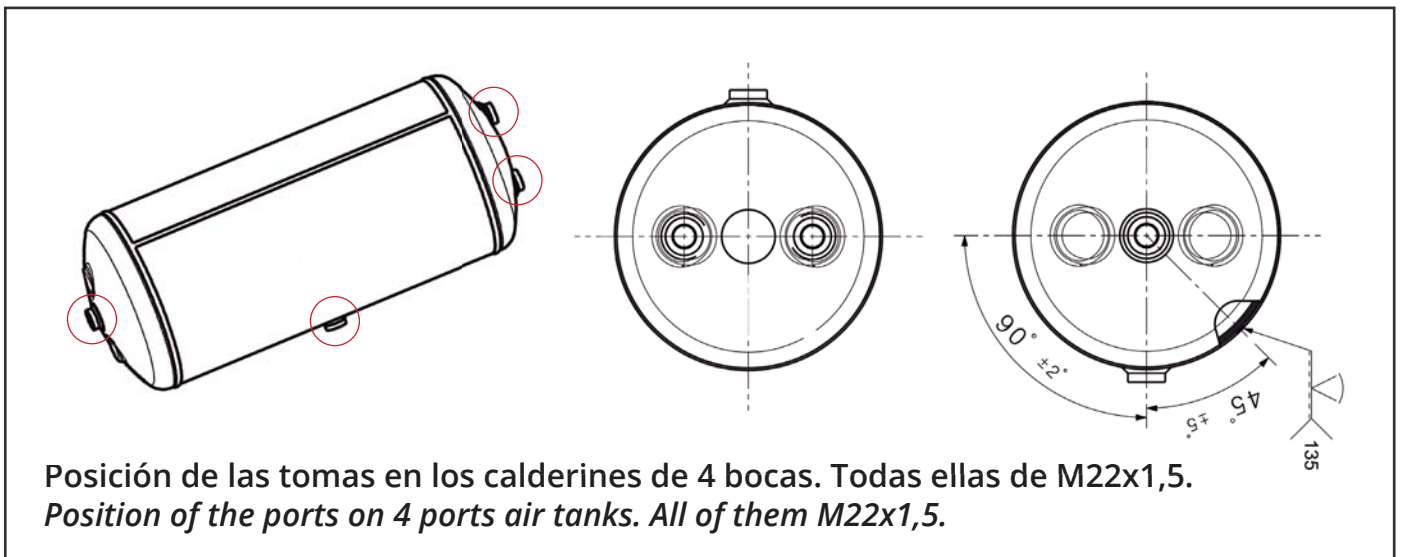
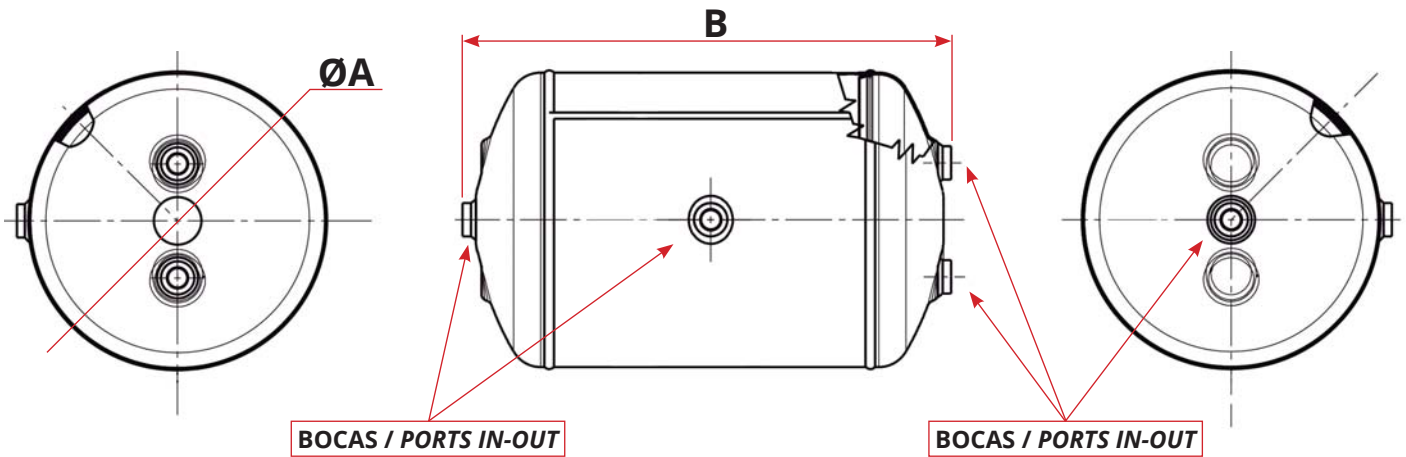


| Ø276 | | | | | | |
|-------------------------|-----------------------|-----|------|-----------------------------|------------------------------|--------------------------|
| Referencia Reference | Capacidad Capacity | Ø A | B | nº bocas nº ports in/out | Palé (uds.) Pallet (pcs.) | Peso (kg) Weight (kg) |
| TA27602505044001* | 25 lt. | 276 | 504 | 4 | 24 | 4,1 |
| TA27603005914001 | 30 lt. | 276 | 591 | 4 | 24 | 4,7 |
| TA27604007664001 | 40 lt. | 276 | 766 | 4 | 24 | 5,9 |
| TA27606011114001 | 60 lt. | 276 | 1111 | 4 | 24 | 8,3 |

*Bajo pedido. / No standard article; please ask for availability.

| SOPORTE CALDERÍN Ø276 // AIR TANK BRACKET Ø276 | |
|---|---|
| Referencia / Reference | Descripción / Description |
| SV280 | Soporte calderín tipo varilla Ø 276 mm. Rod type air tank supports Ø 276 mm. |



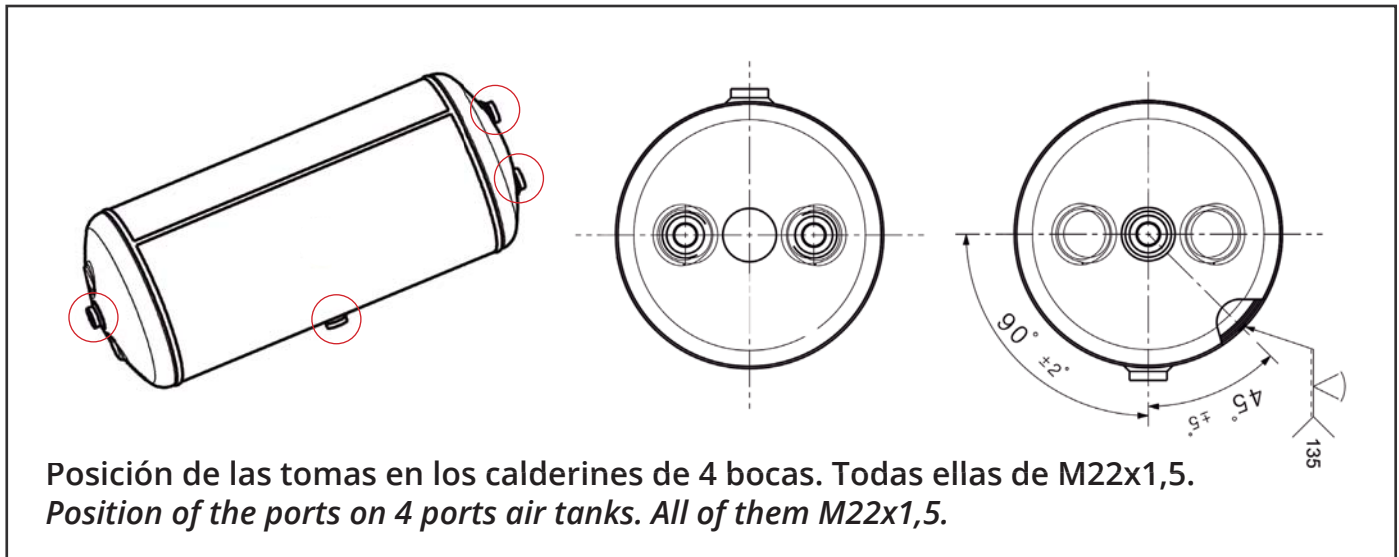
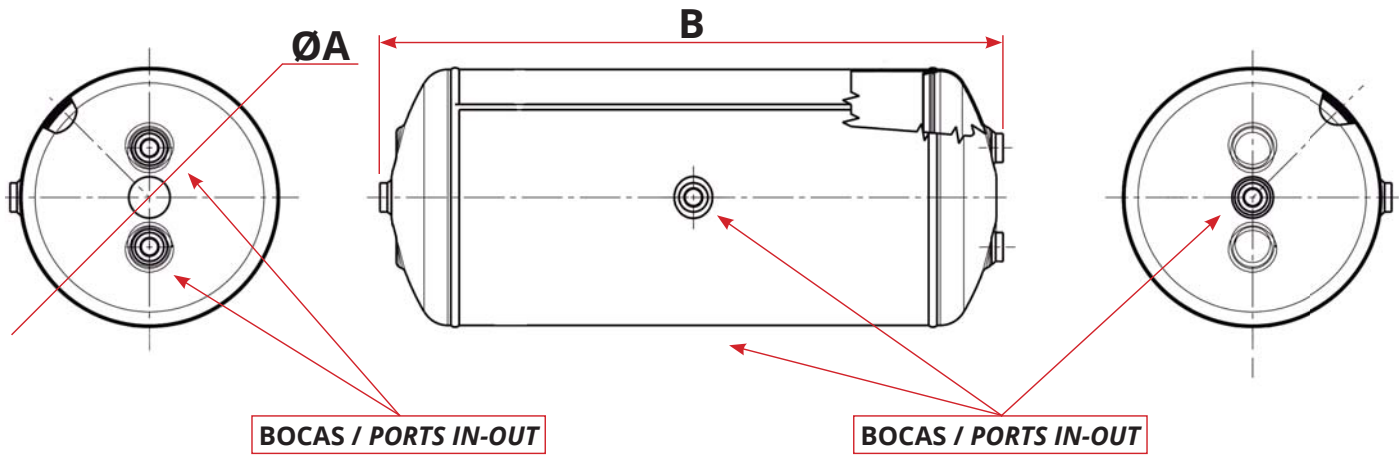


| Ø296 | | | | | | |
|-------------------------|-----------------------|-----|------|-----------------------------|------------------------------|--------------------------|
| Referencia Reference | Capacidad Capacity | Ø A | B | nº bocas nº ports in/out | Palé (uds.) Pallet (pcs.) | Peso (kg) Weight (kg) |
| TA29602003714001* | 20 lt. | 296 | 371 | 4 | 24 | 3,5 |
| TA29603005214001* | 30 lt. | 296 | 521 | 4 | 24 | 4,6 |
| TA29603305654001* | 33 lt. | 296 | 565 | 4 | 24 | 5 |
| TA29604006714001* | 40 lt. | 296 | 671 | 4 | 24 | 5,7 |
| TA29605008184001* | 50 lt. | 296 | 818 | 4 | 24 | 6,9 |
| TA29606009654001* | 60 lt. | 296 | 965 | 4 | 24 | 7,8 |
| TA29608012784001* | 80 lt. | 296 | 1278 | 4 | 24 | 10,2 |

*Bajo pedido. / No standard article; please ask for availability.

| SOPORTE CALDERÍN Ø296 // AIR TANK BRACKET Ø296 | |
|---|---|
| Referencia / Reference | Descripción / Description |
| SV296 | Soporte calderín tipo varilla Ø 296 mm. Rod type air tank supports Ø 296 mm. |



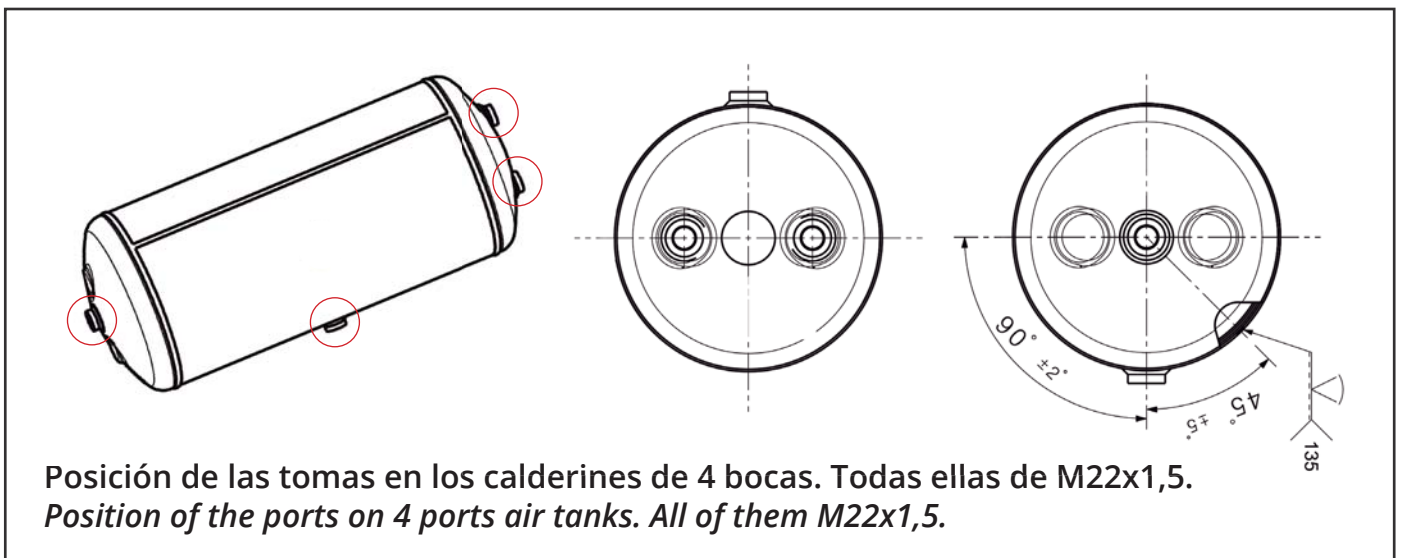
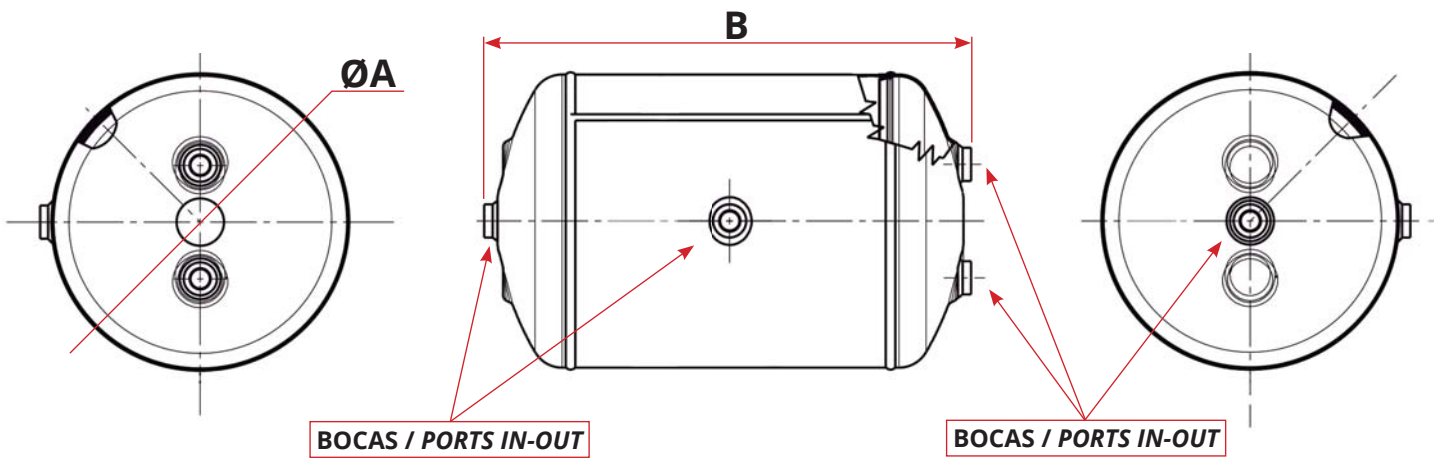


| Ø310 | | | | | | |
|-------------------------|-----------------------|-----|------|-----------------------------|------------------------------|--------------------------|
| Referencia Reference | Capacidad Capacity | Ø A | B | nº bocas nº ports in/out | Palé (uds.) Pallet (pcs.) | Peso (kg) Weight (kg) |
| TA31004006294001 | 40 lt. | 310 | 629 | 4 | 18 | 5,6 |
| TA31006009074001 | 60 lt. | 310 | 907 | 4 | 18 | 7,7 |
| TA31008011804001* | 80 lt. | 310 | 1180 | 4 | 18 | 9,7 |

*Bajo pedido. / No standard article; please ask for availability.

| SOPORTE CALDERÍN Ø310 // AIR TANK BRACKET Ø310 | |
|---|---|
| Referencia / Reference | Descripción / Description |
| SV310 | Soporte calderín tipo varilla Ø 310 mm. Rod type air tank supports Ø 310 mm. |





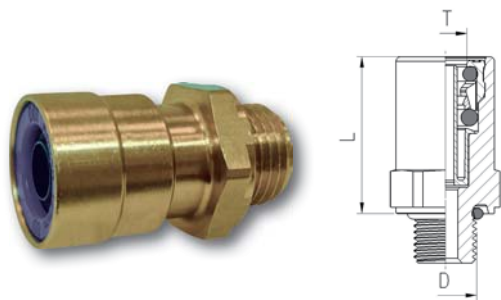
| Ø396 | | | | | | |
|-------------------------|-----------------------|-----|-------|-----------------------------|------------------------------|--------------------------|
| Referencia Reference | Capacidad Capacity | Ø A | B | nº bocas nº ports in/out | Palé (uds.) Pallet (pcs.) | Peso (kg) Weight (kg) |
| TA39606005834001* | 60 lt. | 396 | 583 | 4 | 15 | 6,9 |
| TA39608007484001* | 80 lt. | 396 | 748 | 4 | 15 | 8,6 |
| TA39610009134001 | 100 lt. | 396 | 913 | 4 | 15 | 10,2 |
| TA39612010744001 | 120 lt. | 396 | 1.074 | 4 | 15 | 11,8 |

*Bajo pedido. / No standard article; please ask for availability.

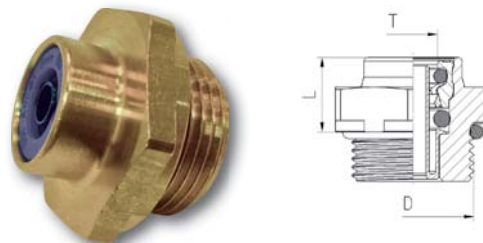
| SOPORTE CALDERÍN Ø396 // AIR TANK BRACKET Ø396 | |
|---|---|
| Referencia / Reference | Descripción / Description |
| SV396 | Soporte calderín tipo varilla Ø 396 mm. Rod type air tank supports Ø 396 mm. |




Versión 1

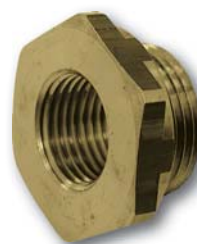
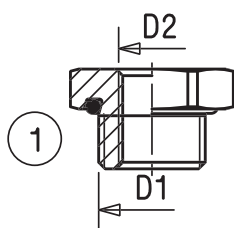


Versión 2




Conectores macho, nueva línea ABC // ABC new line push-in coupling

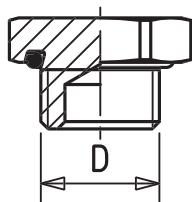
| Referencia Code | T | D | L | Versión Version | Guía interna Support sleeve |  | Caja (uds.) Box (pcs.) | Peso (g) Weight (g) |
|-----------------|--------|---------|----|-----------------|-----------------------------|---|------------------------|---------------------|
| 901 06 022 | 6x1 | M22x1,5 | 12 | 2 | Negro / Black | 28 | 100 | 61 |
| 901 08 022 | 8x1 | M22x1,5 | 13 | 2 | Negro / Black | 28 | 100 | 58 |
| 901 10 022 | 10x1 | M22x1,5 | 17 | 2 | Gris / Grey | 28 | 80 | 67 |
| 901 12 022 | 12x1,5 | M22x1,5 | 19 | 2 | Negro / Black | 28 | 75 | 57 |
| 2607447 | 15x1,5 | M22x1,5 | 31 | 1 | Negro / Black | 28 | 50 | 99 |
| 901 16 022 | 16x2 | M22x1,5 | 31 | 1 | Negro / Black | 28 | 50 | 86 |



Adaptador // Transfer adapter

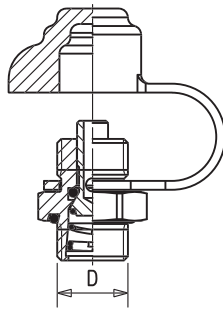
| Referencia Code | D1 | D2 | Versión Version | Guía interna Support sleeve |  | Caja (uds.) Box (pcs.) | Peso (g) Weight (g) |
|-----------------|------------|------------|-----------------|-----------------------------|---|------------------------|---------------------|
| 260 7615 | M 22 x 1,5 | M 12 x 1,5 | 1 | 28 | 150 | 45 | 61 |
| 260 7616 | M 22 x 1,5 | M 16 x 1,5 | 1 | 28 | 150 | 34 | 58 |

*Sin junta tórica./ Without o-ring sealing against ports.



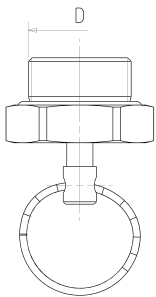
Tapón macho // Plug

| Referencia Code | D1 | | | |  | Caja (uds.) Box (pcs.) | Peso (g) Weight (g) |
|-----------------|------------|--|--|--|---|------------------------|---------------------|
| 260 7608 | M 22 x 1,5 | | | | 28 | 120 | 53 |





Racor de prueba ISO 3583 // Test point, ISO 3583

| Referencia Code | D | | | |  | Caja (uds.) Box (pcs.) | Peso (g) Weight (g) |
|-----------------|------------|--|--|--|---|---------------------------|------------------------|
| 260 7777 | M 22 x 1,5 | | | | 28 | 60 | 68 |



Válvula de purga, DIN 74292 // Drain plug, DIN 74292

| Referencia Code | D |  | Caja (uds.) Box (pcs.) |  |
|-----------------|------------|---|---------------------------|---|
| 260 8787 | M 22 x 1,5 | 28 | 60 | 54 |

Con anilla./ With ring.

Tijeras // Scissors

| Referencia Code |
|-----------------|
| 260 9013 |



Cortatubos // Cutter

| Referencia Code |
|-----------------|
| TC-XH |